

Product data sheet



Product description	M12-A female panel mount connector, Contacts: 4, unshielded, single wires, IP68/IP69K, UL, PG9 front mounting VA, front mounting
Area	M12-A series 763
Order number	76 2532 1111 00004-0200

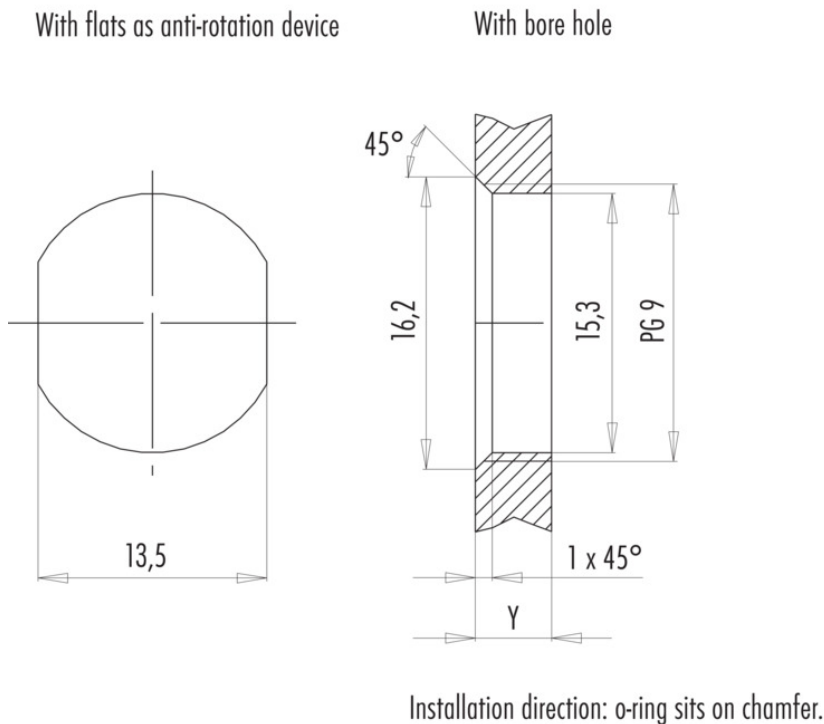
Material

Housing material	stainless steel
Contact body material	PA black
Contact material	CuSn (bronze)
Contact plating	Au (gold)
Locking material	stainless steel
REACH SVHC	CAS 7439-92-1 (Lead)
SCIP number	6297d618-300a-4562-8284-082ae6ed07f5

Authorization/approvals

Approvals	UL
-----------	----

Assembly instructions / Panel cut-out



Tightening moment

Metall housing/Plastic housing 1,25 Nm

Thickness of wall Y (mm)		
Version	min (mm)	max (mm)
Fastened from rear	2	3,5
Front fastened	2	4,5
positioning possible ¹⁾	2	3,5
Screw clamp	2	3,5
Thread M12 x 1	2	3,0
Thread M14 x 1 ²⁾	³⁾ 1,5/ ⁴⁾ 2	6,5

Notes

- ¹⁾ Do not attach a chamfer
- ²⁾ Wall thickness:
use locknut 01-5385 up to 1,5 mm,
>1,5 mm cut thread
- ³⁾ Nut
- ⁴⁾ Thread in wall of housing

Product data sheet

Product description	M12-A female panel mount connector, Contacts: 4, unshielded, single wires, IP68/IP69K, UL, PG9 front mounting VA, front mounting
Area	M12-A series 763
Order number	76 2532 1111 00004-0200

Security notices

The connector must not be plugged or unplugged under load. Non-observance and improper use can result in personal injury.

The connectors have been developed for applications in plant engineering, control and electrical equipment construction. The user is responsible for checking whether the connectors can also be used in other areas of application.

Plug connectors with enclosure protection IP 67 and IP 68 are not suitable for use under water. When used outdoors, the plug connectors must be protected separately against corrosion. For further information on the IP protection classes, please refer to the "Technical Information" download centre.