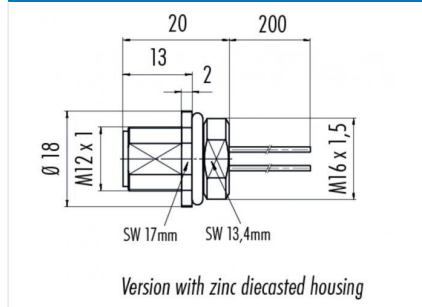


Product description	Contacts: 8, male panel mount connector with single wires, AWG 24, M16x1.5
Area	M12-A Series 713/763
Order number	76 0231 0011 00008-0200

Illustration



Scale drawing



Contact arrangement

	X	Y	
1	2,69	0,57	1 weiß/white
2	0,57	2,69	2 braun/brown
3	-1,66	2,20	3 grün/green
4	-2,75	0,19	4 gelb/yellow
5	-1,94	-1,94	5 grau/grey
6	0,19	-2,74	6 rosa/pink
7	2,20	-1,65	7 blau/blue
8	0,00	0,00	8 rot/red

Geschirmte Versionen: Schirm auf Gehäuse oder Pin 8
Shielded versions: shield on housing or pin 8

You can find the assembly instructions on the next page.

Technical data

General values

Connector design	male panel mount connector
Connector locking system	bolted
Termination	single wires
Wire gauge (mm)	0.25 mm ²
Wire gauge (AWG)	24
Upper limit temperature	85 °C
Lower limit temperature	-40 °C

Cable data

Approval 1	UL
------------	----

Electrical values

Rated current (40 °C)	2 A (UL 1,5 A)
Rated voltage	30 V
Rated impulse voltage	800 V
Pollution degree	3
Overvoltage category	II
Insulating material group	III
Volume resistivity	≤ 3 mΩ
Insulation resistance	>10 ⁸ Ω
EMC compliance	not shielded
Degree of protection	IP68
Mechanical operation	> 100 Mating cycles

Material

Contact material	CuZn (brass)
Contact plating	Au (gold)
Contact body material	PA
Housing material	Zinc die-cast nickel-plated

Product description	Contacts: 8, male panel mount connector with single wires, AWG 24, M16x1.5
Area	M12-A Series 713/763
Order number	76 0231 0011 00008-0200

Assembly instructions / Panel cut-out

Mit Fläche als Verdrehschutz
With flats as anti-rotation device

PG 9/M16 x 1,5/M20 x 1,5

Mit Durchgangsbohrung
With bore hole

Mit Gewinde, einschraubbar
With thread to screw in

alternativ/alternativ

	A	B	C	D
PG 9	PG 9	16,2	15,3	13,5
PG 13,5	PG 13,5	21,5	20,5	—
M16x1,5	M16x1,5	17,0	16,1	13,5
M20x1,5	M20x1,5	21,0	20,1	—

Anzugsdrehmoment/Tightening torque

Metallgehäuse/Metal housing 6,25 Nm
Kunststoffgehäuse/Plastic housing 3,75 Nm

Product description	Contacts: 8, male panel mount connector with single wires, AWG 24, M16x1.5
Area	M12-A Series 713/763
Order number	76 0231 0011 00008-0200

Security notices

The connectors are designed for use in plant, control system and electrical equipment. The end user is responsible for checking whether the connectors are suitable for use in other applications. Connectors with degree of protection IP 67 and IP 68 are not suitable for use under water. When used outdoors, the connectors must be separately protected against corrosion. For further information about IP degrees of protection refer to 'Technical support' in the Download Centre.