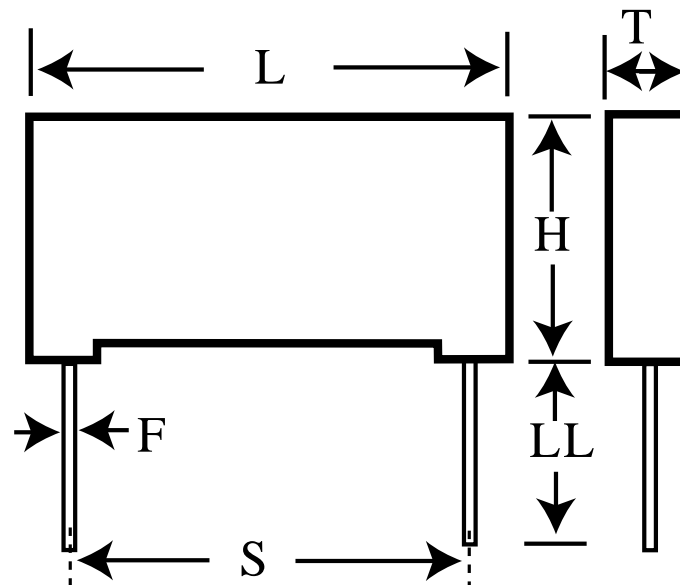


R75UN1680AA30K

aka 75UN1680AA30K

Capacitor, film, 6800 pF, +/-10% Tol, -55/+105C, General Purpose, 2000V@85C, Lead Spacing=22.5 mm



Dimensions (mm)

Specifications

ID	Dimension	Tolerance	Manufacturer:	KEMET
L	26.5	+0.3	Capacitance:	6800 pF
H	15	+0.1	Temperature Range:	-55/+105C
T	6	+0.2	Rated Temperature:	85C
S	22.5	+/-0.4	Voltage @ rated temp:	2000V
LL	4	+2	Voltage AC:	700VAC
F	0.8	+/-0.05	Tolerance:	+/-10%
			Body Type:	Radial Box
			Construction:	Wound
			Application:	General Purpose
			Sub Application:	Pulse
			Dissipation Factor @ 1 kHz:	0.04%
			Dissipation Factor @ 10 kHz:	0.06%
			Dissipation Factor @ 100kHz:	0.25%
			Insulation Resistance:	100 GOhm
			Inductance:	18 nH
			Maximum dVdT:	3500v/us
			Maximum K0:	14000000V^2/us
			Package Kind:	Bulk
			Package Type:	Bag
			Package Quantity:	805