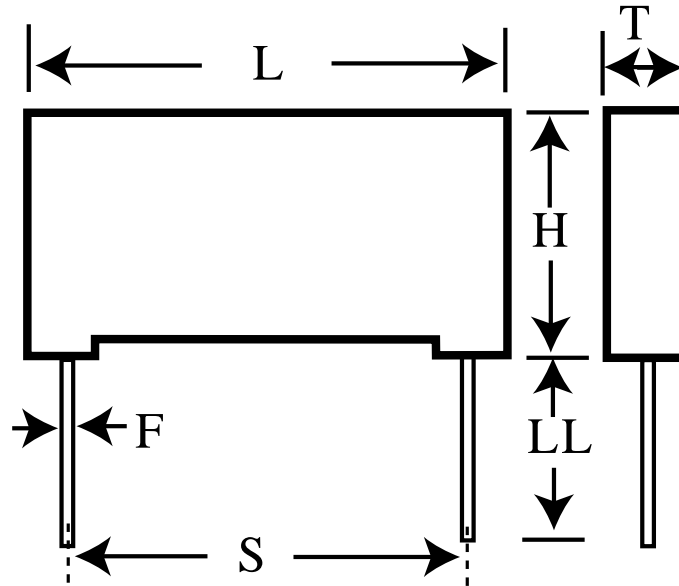


R75TN2330CK30J

aka 75TN2330CK30J

Capacitor, film, 0.033 uF, +/-5% Tol, -55/+105C, General Purpose, 1600V@85C, Lead Spacing=22.5 mm



Dimensions (mm)

Specifications

ID	Dimension	Tolerance	Manufacturer:	KEMET
L	26.5	+0.3	Capacitance:	0.033 uF
H	16	+0.1	Temperature Range:	-55/+105C
T	7	+0.2	Rated Temperature:	85C
S	22.5	+/-0.4	Voltage @ rated temp:	1600V
LL	18.5	nom	Voltage AC:	650VAC
F	0.8	+/-0.05	Tolerance:	+/-5%
			Body Type:	Radial Box
			Construction:	Wound
			Application:	General Purpose
			Sub Application:	Pulse
			Dissipation Factor @ 1 kHz:	0.04%
			Dissipation Factor @ 10 kHz:	0.06%
			Dissipation Factor @ 100kHz:	0.25%
			Insulation Resistance:	100 GOhm
			Inductance:	18 nH
			Maximum dVdT:	3000v/us
			Maximum K0:	9600000V^2/us
			Package Kind:	T&R
			Package Size:	500mm
			Package Quantity:	550