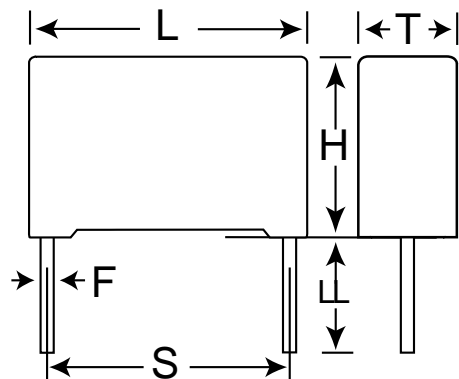


**KEMET Part Number: R75TI21505030K**  
(75TI21505030K)

Capacitor, film, 0.015 uF, +/-10% Tol, -55/+105C, General Purpose, 1600V@85C, Lead Spacing=15 mm



#### Dimensions (mm)

Symbol	Dimension	Tolerance
L	18	+0.5
H	13.5	+0.1
T	7.5	+0.2
S	15	+/-0.4
LL	25	+2/-1
F	0.8	+/-0.05

#### Packaging Specifications

Package Kind:	Bulk
Package Type:	Bag
Package Quantity:	700

#### General Information

Manufacturer:	KEMET
Miscellaneous Electrical:	Note: Not for New Design 06.18.2012

#### Electrical Specifications

Capacitance:	0.015 uF
Rated Temperature:	85C
Voltage @ rated temp:	1600V
Voltage AC:	650VAC
Tolerance:	+/-10%
Body Type:	Radial Box
Construction:	Wound
Application:	General Purpose
Sub Application:	Pulse
Temperature Range:	-55/+105C
Dissipation Factor @ 1 kHz:	0.04%
Dissipation Factor @ 10 kHz:	0.06%
Dissipation Factor @ 100kHz:	0.25%
Insulation Resistance:	100 GOhm
Inductance:	10 nH
Maximum dVdT:	6000v/us
Maximum K0:	19000000V^2/us