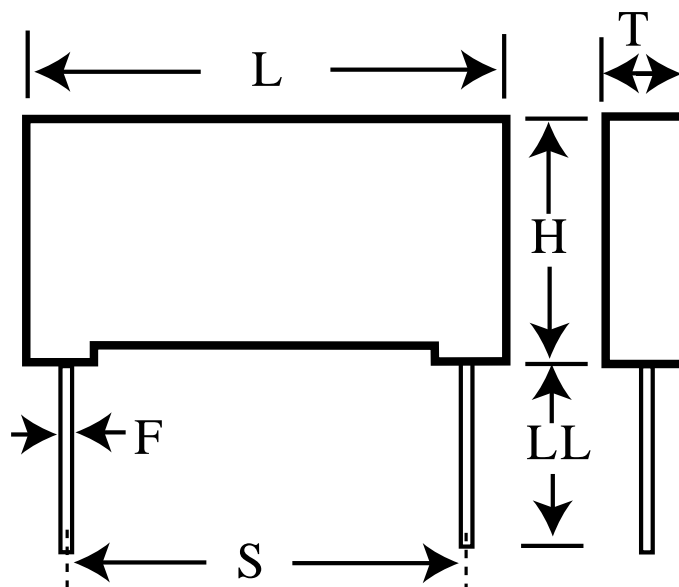


# R75PI322050N0J

aka 75PI322050N0J

Capacitor, film, 0.22 uF, +/-5% Tol, -55/+105C, Pulse, 630V@85C,  
Lead Spacing=15 mm



## Dimensions (mm)

## Specifications

ID	Dimension	Tolerance	Manufacturer:	KEMET
L	18	+0.5	Brand:	Arcotronics
H	12.5	+0.1	Capacitance:	0.22 uF
T	9	+0.2	Temperature Range:	-55/+105C
S	15	+/-0.4	Rated Temperature:	85C
LL	25	+2/-1	Voltage @ rated temp:	630V
F	0.8	+/-0.05	Voltage AC:	220VAC
			Tolerance:	+/-5%
			Body Type:	Radial Box
			Construction:	Non-inductive
			Application:	Pulse
			Dielectric:	Metallized Polypropylene
			Dissipation Factor @ 1 kHz:	0.05%
			Dissipation Factor @ 10 kHz:	0.12%
			Insulation Resistance:	100 GOhm
			Inductance:	10 nH
			Maximum dVdT:	400v/us
			Maximum K0:	504000V^2/us
			Package Kind:	Bulk
			Package Type:	Bag
			Package Quantity:	520