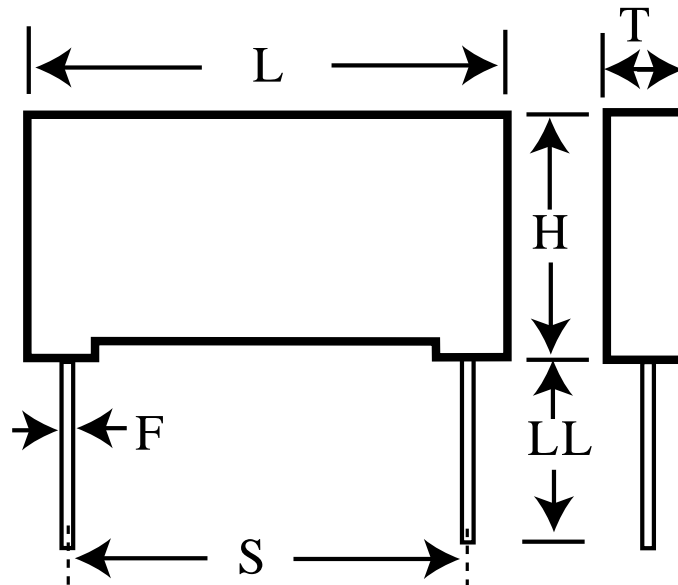


R75PD2220DQA0K

aka 75PD2220DQA0K

Capacitor, film, 0.022 uF, +/-10% Tol, -55/+105C, General Purpose, 630V@85C, Lead Spacing=7.5 mm



Dimensions (mm)

Specifications

ID	Dimension	Tolerance	Manufacturer:	KEMET
L	10.5	+0.2	Capacitance:	0.022 uF
H	12	+0.1	Temperature Range:	-55/+105C
T	6	+0.1	Rated Temperature:	85C
S	7.5	+/-0.4	Voltage @ rated temp:	630V
LL	18.5	nom	Voltage AC:	220VAC
F	0.5	+/-0.05	Tolerance:	+/-10%
			Body Type:	Radial Box
			Construction:	Wound
			Application:	General Purpose
			Sub Application:	Pulse
			Dissipation Factor @ 1 kHz:	0.04%
			Dissipation Factor @ 10 kHz:	0.06%
			Dissipation Factor @ 100kHz:	0.25%
			Insulation Resistance:	100 GOhm
			Inductance:	8 nH
			Maximum dVdT:	600v/us
			Maximum K0:	760000V^2/us
			Package Kind:	Ammo
			Package Quantity:	1350