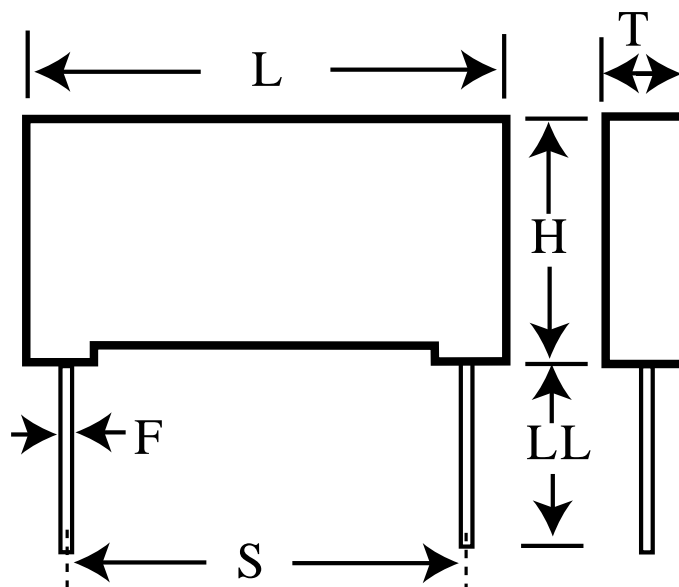


# R75MN4180AAM0K

aka 75MN4180AAM0K

Capacitor, film, 1.8 uF, +/-10% Tol, -55/+105C, Pulse, 400V@85C,  
Lead Spacing=22.5 mm



## Dimensions (mm)

## Specifications

ID	Dimension	Tolerance	Manufacturer:	KEMET
L	26.5	+0.3	Brand:	Arcotronics
H	22	+0.1	Capacitance:	1.8 uF
T	13	+0.2	Temperature Range:	-55/+105C
S	22.5	+/-0.4	Rated Temperature:	85C
LL	4	+2	Voltage @ rated temp:	400V
F	0.8	+/-0.05	Voltage AC:	200VAC
			Tolerance:	+/-10%
			Body Type:	Radial Box
			Construction:	Non-inductive
			Application:	Pulse
			Dielectric:	Metallized Polypropylene
			Dissipation Factor @ 1 kHz:	0.06%
			Insulation Resistance:	16.67 GOhm
			Inductance:	18 nH
			Maximum dVdT:	180v/us
			Maximum K0:	160000V^2/us
			Package Kind:	Bulk
			Package Type:	Bag
			Package Quantity:	300