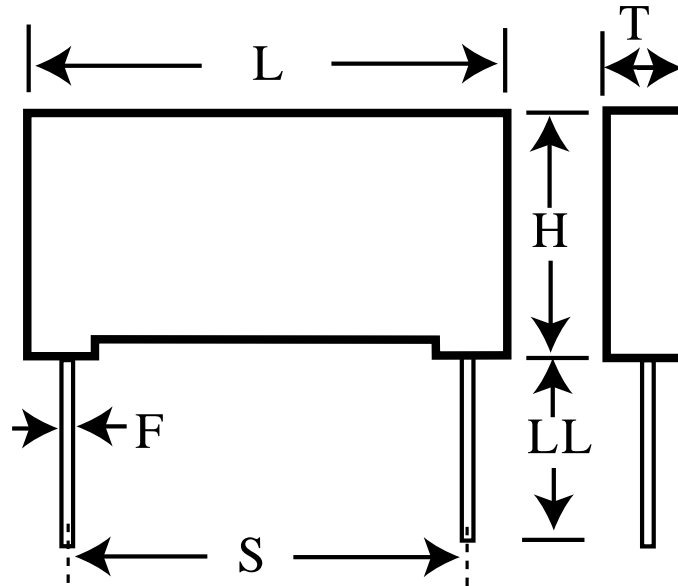


# R75MI3680AAM0J

aka 75MI3680AAM0J

Capacitor, film, 0.68 uF, +/-5% Tol, -55/+105C, Pulse, 400V@85C,  
Lead Spacing=15 mm



## Dimensions (mm)

ID	Dimension	Tolerance
L	18	+0.5
H	16	+0.1
T	10	+0.2
S	15	+/-0.4
LL	4	+2
F	0.8	+/-0.05

## Specifications

Manufacturer:	KEMET
Brand:	Arcotronics
Capacitance:	0.68 uF
Temperature Range:	-55/+105C
Rated Temperature:	85C
Voltage @ rated temp:	400V
Voltage AC:	200VAC
Tolerance:	+/-5%
Body Type:	Radial Box
Construction:	Non-inductive
Application:	Pulse
Dielectric:	Metallized Polypropylene
Dissipation Factor @ 1 kHz:	0.05%
Dissipation Factor @ 10 kHz:	0.12%
Insulation Resistance:	44.12 GOhm
Inductance:	10 nH
Maximum dVdT:	300v/us
Maximum K0:	240000V^2/us
Package Kind:	Bulk
Package Type:	Bag
Package Quantity:	750