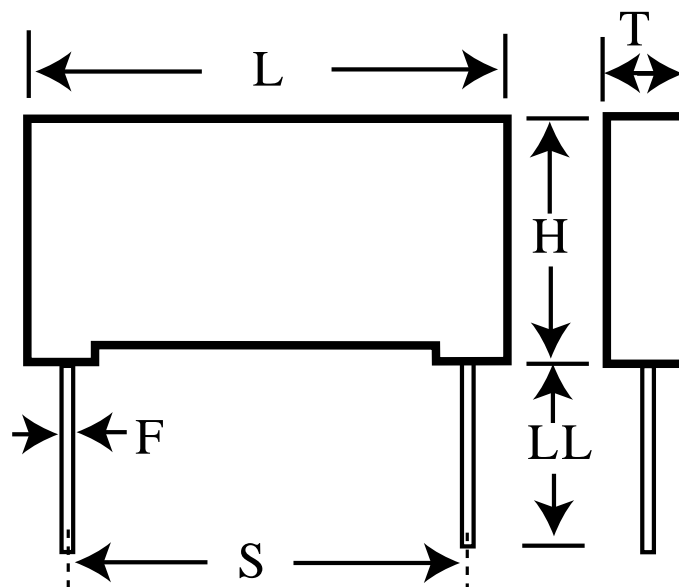


R75MI31504030J

aka 75MI31504030J

Capacitor, film, 0.15 uF, +/-5% Tol, -55/+105C, General Purpose, 400V@85C, Lead Spacing=15 mm



Dimensions (mm)

Specifications

ID	Dimension	Tolerance	Manufacturer:	KEMET
L	18	+0.3	Capacitance:	0.15 uF
H	12	+0.1	Temperature Range:	-55/+105C
T	6	+0.2	Rated Temperature:	85C
S	15	+/-0.4	Voltage @ rated temp:	400V
LL	30	+5	Voltage AC:	220VAC
F	0.8	+/-0.05	Tolerance:	+/-5%
			Body Type:	Radial Box
			Construction:	Wound
			Application:	General Purpose
			Sub Application:	Pulse
			Dissipation Factor @ 1 kHz:	0.05%
			Dissipation Factor @ 10 kHz:	0.08%
			Insulation Resistance:	100 GOhm
			Inductance:	10 nH
			Maximum dVdT:	900v/us
			Maximum K0:	240000V^2/us
			Package Kind:	Bulk
			Package Type:	Bag
			Package Quantity:	900