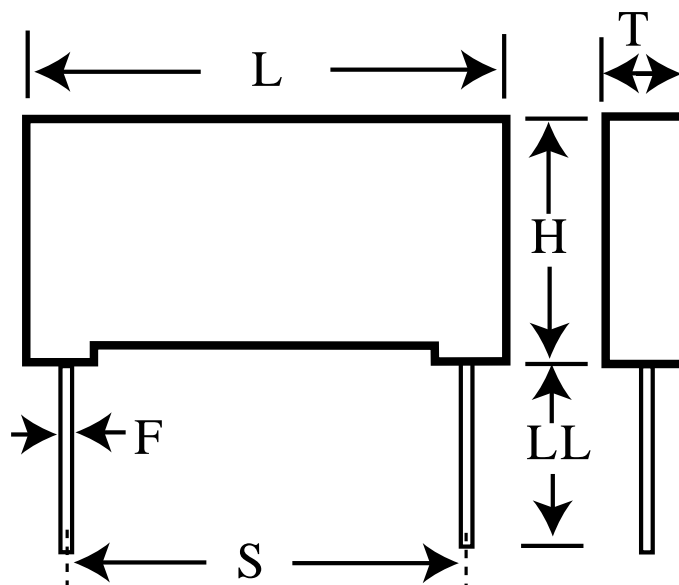


R75MF2560DQ30J

aka 75MF2560DQ30J

Capacitor, film, 0.056 uF, +/-5% Tol, -55/+105C, Pulse, 400V@85C,
Lead Spacing=10 mm



Dimensions (mm)

Specifications

ID	Dimension	Tolerance	Manufacturer:	KEMET
L	13	+0.2	Brand:	Arcotronics
H	12	+0.1	Capacitance:	0.056 uF
T	6	+0.2	Temperature Range:	-55/+105C
S	10	+/-0.4	Rated Temperature:	85C
LL	18.5	+/-0.5	Voltage @ rated temp:	400V
F	0.6	+/-0.05	Voltage AC:	220VAC
			Tolerance:	+/-5%
			Body Type:	Radial Box
			Construction:	Non-inductive
			Application:	Pulse
			Dielectric:	Metallized Polypropylene
			Dissipation Factor @ 1 kHz:	0.04%
			Dissipation Factor @ 10 kHz:	0.06%
			Dissipation Factor @ 100kHz:	0.25%
			Insulation Resistance:	100 GOhm
			Inductance:	9 nH
			Maximum dVdT:	420v/us
			Maximum K0:	336000V^2/us
			Package Kind:	Ammo
			Package Type:	Box
			Package Quantity:	680