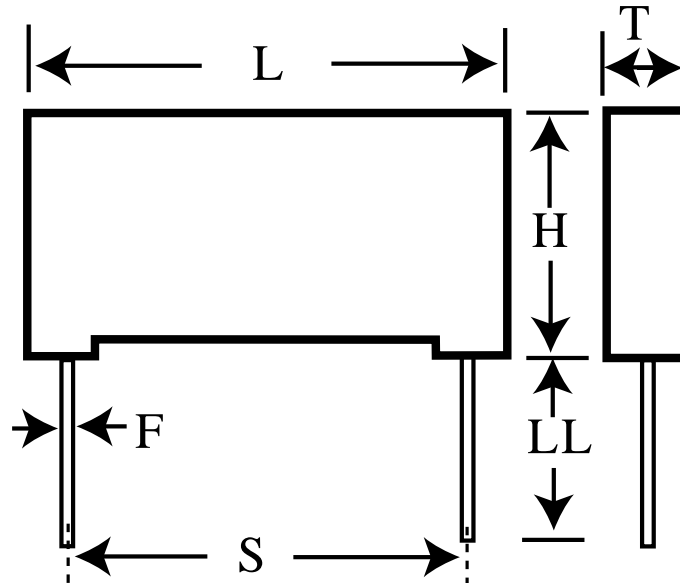


R75MF2270AA30K

aka 75MF2270AA30K

Capacitor, film, 0.027 uF, +/-10% Tol, -55/+105C, Pulse, 400V@85C,
Lead Spacing=10 mm



Dimensions (mm)

ID	Dimension	Tolerance
L	13	+0.2
H	9	+0.1
T	4	+0.2
S	10	+/-0.4
LL	4	+2
F	0.6	+/-0.05

Specifications

Manufacturer:	KEMET
Brand:	Arcotronics
Capacitance:	0.027 uF
Temperature Range:	-55/+105C
Rated Temperature:	85C
Voltage @ rated temp:	400V
Voltage AC:	220VAC
Tolerance:	+/-10%
Body Type:	Radial Box
Construction:	Non-inductive
Application:	Pulse
Dielectric:	Metallized Polypropylene
Dissipation Factor @ 1 kHz:	0.04%
Dissipation Factor @ 10 kHz:	0.06%
Dissipation Factor @ 100kHz:	0.25%
Insulation Resistance:	100 GOhm
Inductance:	9 nH
Maximum dVdT:	420v/us
Maximum K0:	336000V^2/us
Package Kind:	Bulk
Package Type:	Bag
Package Quantity:	2000