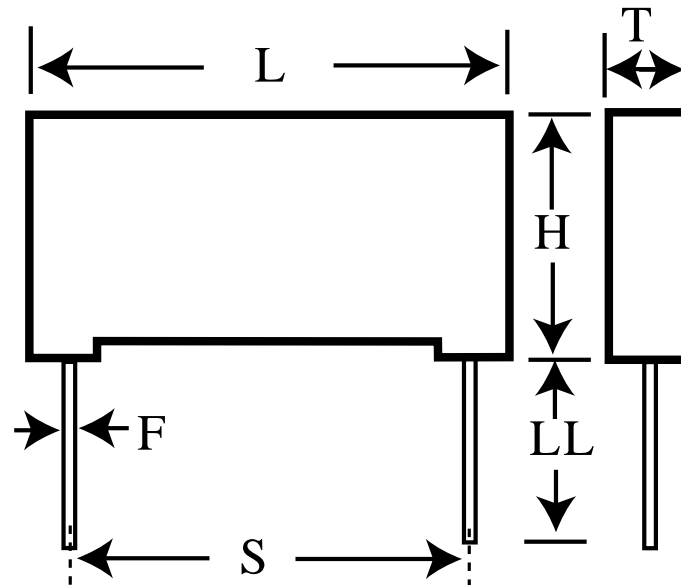


R75MF2220DQ30J

aka 75MF2220DQ30J

Capacitor, film, 0.022 uF, +/-5% Tol, -55/+105C, General Purpose, 400V@85C, Lead Spacing=10 mm



Dimensions (mm)

Specifications

ID	Dimension	Tolerance	Manufacturer:	KEMET
L	13	+0.2	Capacitance:	0.022 uF
H	9	+0.1	Temperature Range:	-55/+105C
T	4	+0.2	Rated Temperature:	85C
S	10	+/-0.4	Voltage @ rated temp:	400V
LL	18.5	nom	Voltage AC:	220VAC
F	0.6	+/-0.05	Tolerance:	+/-5%
			Body Type:	Radial Box
			Construction:	Wound
			Application:	General Purpose
			Sub Application:	Pulse
			Dissipation Factor @ 1 kHz:	0.04%
			Dissipation Factor @ 10 kHz:	0.06%
			Dissipation Factor @ 100kHz:	0.25%
			Insulation Resistance:	100 GOhm
			Inductance:	9 nH
			Maximum dVdT:	1300v/us
			Maximum K0:	336000V^2/us
			Package Kind:	Ammo
			Package Quantity:	1000