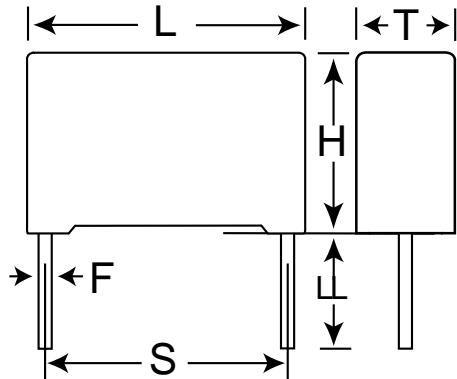


KEMET Part Number: R75MD2470AAB0J
(75MD2470AAB0J)

Capacitor, film, 0.047 uF, +/-5% Tol, -55/+105C, General Purpose, 400V@85C, Lead Spacing=7.5 mm



Dimensions (mm)		
Symbol	Dimension	Tolerance
L	10	+0.2
H	10.5	+0.1
T	5	+0.1
S	7.5	+/-0.4
LL	4	+2
F	0.5	+/-0.05

Packaging Specifications	
Package Kind:	Bulk
Package Type:	Bag
Package Quantity:	1500

General Information	
Manufacturer:	KEMET
Miscellaneous Electrical:	Note: Not for New Design 06.18.2012

Electrical Specifications	
Capacitance:	0.047 uF
Rated Temperature:	85C
Voltage @ rated temp:	400V
Voltage AC:	200VAC
Tolerance:	+/-5%
Body Type:	Radial Box
Construction:	Wound
Application:	General Purpose
Sub Application:	Pulse
Temperature Range:	-55/+105C
Dissipation Factor @ 1 kHz:	0.04%
Dissipation Factor @ 10 kHz:	0.06%
Dissipation Factor @ 100kHz:	0.25%
Insulation Resistance:	100 GOhm
Inductance:	8 nH
Maximum dVdT:	390v/us
Maximum K0:	312000V^2/us