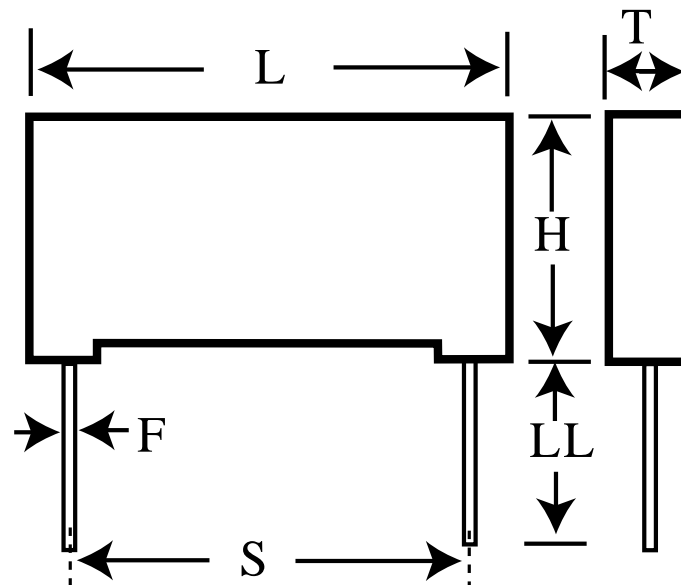


# R75IN4150DQ40K

aka 75IN4150DQ40K

Capacitor, film, 1.5 uF, +/-10% Tol, -55/+105C, General Purpose, 250V@85C, Lead Spacing=22.5 mm



## Dimensions (mm)

## Specifications

ID	Dimension	Tolerance	Manufacturer:	KEMET
L	26.5	+0.3	Capacitance:	1.5 uF
H	18.5	+0.1	Temperature Range:	-55/+105C
T	10	+0.2	Rated Temperature:	85C
S	22.5	+/-0.4	Voltage @ rated temp:	250V
LL	18.5	nom	Voltage AC:	160VAC
F	0.8	+/-0.05	Tolerance:	+/-10%
			Body Type:	Radial Box
			Construction:	Wound
			Application:	General Purpose
			Sub Application:	Pulse
			Dissipation Factor @ 1 kHz:	0.06%
			Insulation Resistance:	20 GOhm
			Inductance:	18 nH
			Maximum dVdT:	125v/us
			Maximum K0:	63000V^2/us
			Package Kind:	Ammo
			Package Quantity:	235