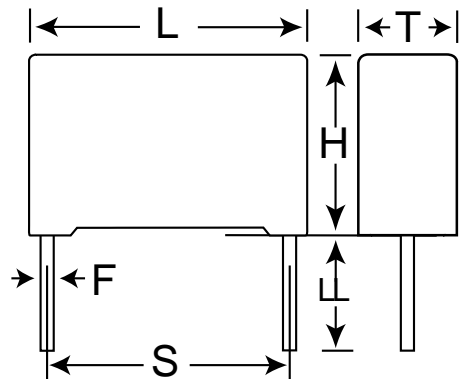


**KEMET Part Number: R75II3390AA40K**  
(75II3390AA40K)



Capacitor, film, 0.39 uF, +/-10% Tol, -55/+105C, General Purpose, 250V@85C, Lead Spacing=15 mm



Dimensions (mm)		
Symbol	Dimension	Tolerance
L	18	+0.5
H	13.5	+0.1
T	7.5	+0.2
S	15	+/-0.4
LL	4	+2
F	0.8	+/-0.05

Packaging Specifications	
Package Kind:	Bulk
Package Type:	Bag
Package Quantity:	1000

General Information	
Manufacturer:	KEMET
Miscellaneous Electrical:	Note: Not for New Design 06.18.2012

Electrical Specifications	
Capacitance:	0.39 uF
Rated Temperature:	85C
Voltage @ rated temp:	250V
Voltage AC:	160VAC
Tolerance:	+/-10%
Body Type:	Radial Box
Construction:	Wound
Application:	General Purpose
Sub Application:	Pulse
Temperature Range:	-55/+105C
Dissipation Factor @ 1 kHz:	0.05%
Dissipation Factor @ 10 kHz:	0.08%
Insulation Resistance:	76.92 GOhm
Inductance:	10 nH
Maximum dVdT:	300v/us
Maximum K0:	100000V <sup>2</sup> /us

Statements of suitability for certain applications are based on our knowledge of typical operating conditions for such applications, but are not intended to constitute - and we specifically disclaim - any warranty concerning suitability for a specific customer application or use. This Information is intended for use only by customers who have the requisite experience and capability to determine the correct products for their application. Any technical advice inferred from this Information or otherwise provided by us with reference to the use of our products is given gratis, and we assume no obligation or liability for the advice given or results obtained.



© 2006-2012 IntelliData.net