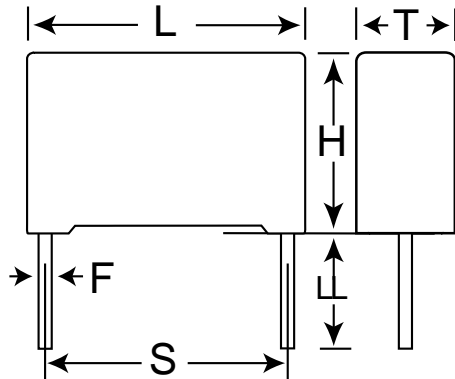


**KEMET Part Number: R75I132704040J**  
(75I132704040J)

Capacitor, film, 0.27 uF, +/-5% Tol, -55/+105C, General Purpose, 250V@85C, Lead Spacing=15 mm



Dimensions (mm)		
Symbol	Dimension	Tolerance
L	18	+0.3
H	12	+0.1
T	6	+0.2
S	15	+/-0.4
LL	30	+5
F	0.8	+/-0.05

Packaging Specifications	
Package Kind:	Bulk
Package Type:	Bag
Package Quantity:	900

General Information	
Manufacturer:	KEMET
Miscellaneous Electrical:	Note: Not for New Design 06.18.2012

Electrical Specifications	
Capacitance:	0.27 uF
Rated Temperature:	85C
Voltage @ rated temp:	250V
Voltage AC:	160VAC
Tolerance:	+/-5%
Body Type:	Radial Box
Construction:	Wound
Application:	General Purpose
Sub Application:	Pulse
Temperature Range:	-55/+105C
Dissipation Factor @ 1 kHz:	0.05%
Dissipation Factor @ 10 kHz:	0.08%
Insulation Resistance:	100 GOhm
Inductance:	10 nH
Maximum dVdT:	300v/us
Maximum K0:	100000V <sup>2</sup> /us