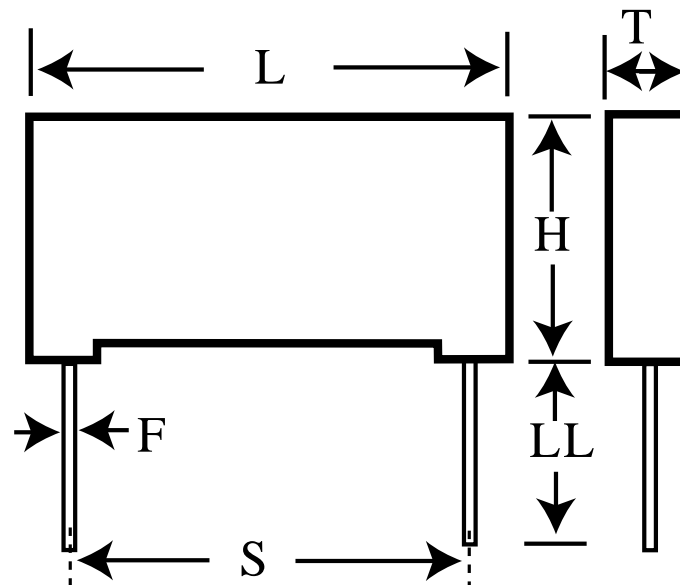


R75GD3100AAB0K

aka 75GD3100AAB0K

Capacitor, film, 0.1 uF, +/-10% Tol, -55/+105C, General Purpose, 160V@85C, Lead Spacing=7.5 mm



Dimensions (mm)

Specifications

ID	Dimension	Tolerance	Manufacturer:	KEMET
L	10	+0.2	Capacitance:	0.1 uF
H	9	+0.1	Temperature Range:	-55/+105C
T	4	+0.1	Rated Temperature:	85C
S	7.5	+/-0.4	Voltage @ rated temp:	160V
LL	4	+2	Voltage AC:	70VAC
F	0.5	+/-0.05	Tolerance:	+/-10%
			Body Type:	Radial Box
			Construction:	Wound
			Application:	General Purpose
			Sub Application:	Pulse
			Dissipation Factor @ 1 kHz:	0.04%
			Dissipation Factor @ 10 kHz:	0.06%
			Dissipation Factor @ 100kHz:	0.25%
			Insulation Resistance:	100 GOhm
			Inductance:	8 nH
			Maximum dVdT:	100v/us
			Maximum K0:	32000V^2/us
			Package Kind:	Bulk
			Package Type:	Bag
			Package Quantity:	2000