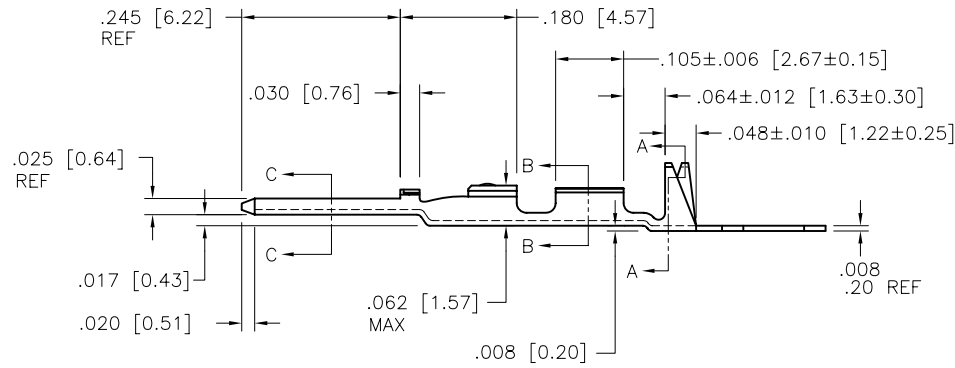
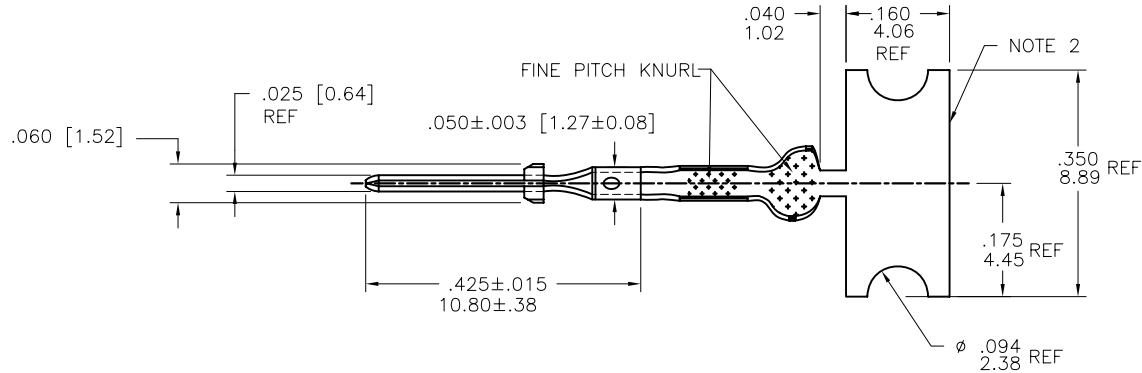
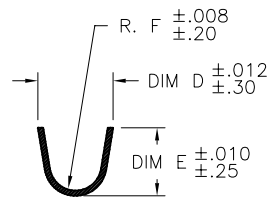


PRODUCT NUMBER
SEE SHEET 2

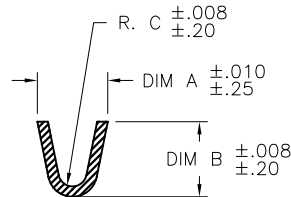


mat'l. code 3/4 HD BRASS CDA NO. 260				surface <input checked="" type="checkbox"/> tolerance		projection		product family PV TERMINAL	
ltr ecn no dr date				tolerances unless otherwise specified				title CTW MALE PIN	
D	V41703	SAR	1994-11-30	angles	$\frac{XX}{100} \pm 0.01 / X \pm 3$	INCH/MM		dwg no 75653	
E	V80946	LSS	1998-06-03		$\frac{XXX}{1000} \pm 0.005 / XXX \pm 13$	scale 4/1			
F	V04-0056	VS	2004-02-17	$0^\circ \pm 2'$	$\frac{XXXX}{10000} \pm 0.0020 / XXX \pm 0.051$			FCI	
G	V05-0467	HTB	2005-05-23	dr	S ROYER	1994-11-30		type CUSTOMER Drawing	
H	V06-0623	HTB	2006-06-28	ENGR	T.HANNA	1994-11-30			
J	V07-0218	HTB	2007-03-16	chr	T.HANNA	1994-11-30			
K	V08-0440	HTB	2008-10-09	appd	T.HANNA	1994-11-30			
sheet index	revision	K	K	K					
	sheet	1	2	3					

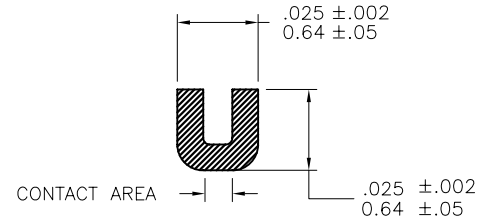
PRODUCT NO. AS REELED FOR APPLICATION MACHINES NOTE 5		WIRE AWG	WIRE BARREL			INSULATION BARREL			
RIGHT TO LEFT FEED	LEFT TO RIGHT FEED		A	B	C	D	E	F	
75653-001	75653-004	28-32	.054/1.37	.058/1.47	.011/0.28	.115/2.92	.105/2.67	.040/1.02	OBSOLETE
75653-001LF	75653-004LF	28-32	.054/1.37	.058/1.47	.011/0.28	.115/2.92	.105/2.67	.040/1.02	NOTE 7
75653-002	75653-005	22-26	.070/1.78	.065/1.65	.017/0.43	.139/3.53	.120/3.05	.050/1.27	OBSOLETE
75653-002LF	75653-005LF	22-26	.070/1.78	.065/1.65	.017/0.43	.139/3.53	.120/3.05	.050/1.27	NOTE 7
75653-003	75653-006	18-20	.104/2.64	.104/2.64	.021/0.53	.139/3.53	.120/3.05	.050/1.27	OBSOLETE
75653-003LF	75653-006LF	18-20	.104/2.64	.104/2.64	.021/0.53	.139/3.53	.120/3.05	.050/1.27	NOTE 7



SECTION A-A
SCALE 2:1



SECTION B-B
SCALE 2:1



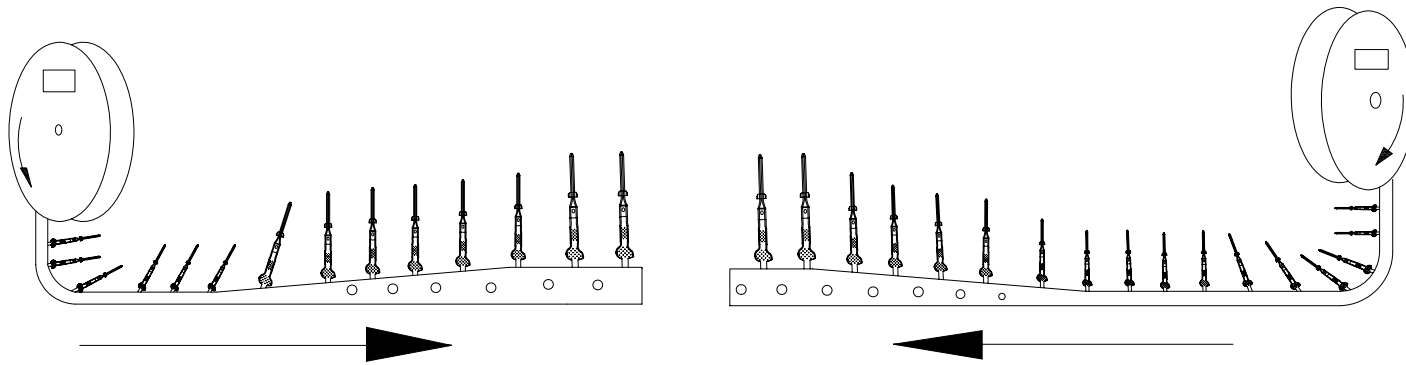
SECTION C-C
SCALE 5:1

NOTES:

- PLATING: 100μ"/2.54μ SnPb MINIMUM PRE-PLATED (OBSOLETE)
P/N WITH LF SUFFIX: 100μ"/2.54μ Sn MINIMUM PRE-PLATED
- FOR MANUFACTURING PURPOSES ONLY.
- PART MAY BE USED WITH MINI-LATCH HSG.
- APPLICABLE SPECIFICATIONS:
A. BUS-12-098: PRODUCT SPECIFICATION
B. TA-211: CRIMP SPECIFICATION
- PART NUMBERS WITH AN LF SUFFIX MEET EUROPEAN UNION DIRECTIVES AND OTHER COUNTRY REGULATIONS AS DESCRIBED IN GS-22-008.
- THIS PRODUCT IS NOT INTENDED TO BE EXPOSED TO MANUFACTURING SOLDER PROCESSES.
- THIS PRODUCT HAS 100% TIN PLATING IN THE INTERFACE AND HAS NOT BEEN TESTED FOR WHISKER GROWTH IN ALL INTERCONNECT ENVIRONMENTS.
- PACKAGE QUANTITY: 8000 PER REEL

mat'l. code		surface		tolerance		projection		product family			
3/4 HD BRASS CDA NO. 260		✓						PV TERMINAL			
ltr	ecn no	dr	date	tolerances unless otherwise specified				title			
K				angles	XX ±.01/XX±3		INCH/MM		CTW MALE PIN		
				0° ±2'	XXX ±.005/XX±13		scale 4/1				
					XXXX ±.0020/XXX±.051						
		dr	S ROYER	1994-11-30	dwg no					sheet 2 of 3	size
		engr	T.HANNA	1994-11-30	75653					A4	
		chr	T.HANNA	1994-11-30	type					CUSTOMER Drawing	
sheet index	revision sheet										

PRODUCT NUMBER
SEE SHEET 2



Unreeling Direction
Left to Right Into
Applicator

Unreeling Direction
Right to Left Into
Applicator

mat'l. code 3/4 HD BRASS CDA NO. 260		surface <input checked="" type="checkbox"/>	tolerance	projection	product family PV TERMINAL
ltr	ecn no	dr	date	tolerances unless otherwise specified	title CTW MALE PIN
k				angles $\frac{deg}{in}$.XX ±01/X±3 .XXX ±005/XX±13	INCH/MM
				0° ±2° .XXX ±0020/XXX±051	scale 1:1
		dr	H. SUNDY	2004-02-17	dwg no
		engr	H. SUNDY	2004-02-17	75653
		chr	H. SUNDY	2004-02-17	sheet 3 of 3
		appd	H. SUNDY	2004-02-17	size A4
sheet index	revision sheet				type CUSTOMER Drawing