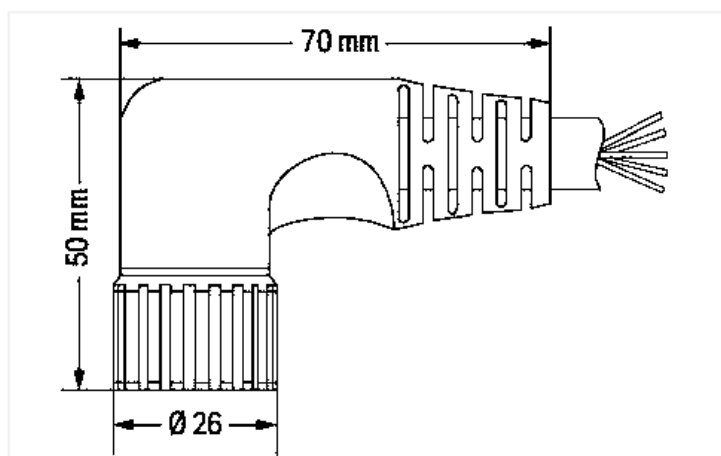


Color: ■ black

Pin 6, 12, 19: 1,00 mm²;
Pin 1 - 5, 7 - 11, 13 - 19: 0,34 mm²

1 violett	11 schwarz
2 rot	12 grün-gelb
3 grau	13 gelb-braun
4 rot-blau	14 braun-grün
5 grün	15 weiß
6 blau	16 gelb
7 grau-rosa	17 rosa
8 weiß-grün	18 grau-braun
9 weiß-gelb	19 braun
10 weiß-grau	



Dimensions in mm

Technical data

Connection type	M23 socket - free end
Pole number	19
Cable connection direction to mating direction	90 °
Cable length	15 m
Operating voltage	≤ 300 V
Operating current	8 A 10 mm ² 1 A
Rated surge voltage	≥ 2.0 kV rms

Mechanical Data

Bending cycles	2 million
Drag chain capability	Yes
Sheathed cable diameter	11.3 ... 11.9 mm
Weight	2152 g
Color	black

Environmental requirements

Ambient (operating) temperature (dynamic)	-25 ... +80 °C
Ambient (operating) temperature (static)	-40 ... +80 °C
Protection type	IP67
Fire load	0 MJ

Commercial data

Product Group	23 (I/O passive and accessories)
eCl@ss 10.0	27-06-03-11
eCl@ss 9.0	27-06-03-11
ETIM 8.0	EC001855
ETIM 7.0	EC001855
PU (SPU)	1 pcs
Packaging type	Box
Country of origin	DE
GTIN	4044918569095
Customs tariff number	85444290900

Downloads

Environmental Product Compliance

Compliance Search

Environmental Product
Compliance
756-3204/190-150



Documentation

System Description

Sensor/Actuator Bo-
xes – General Product
Information

pdf
428.34 KB



CAD/CAE-Data

CAE data

WSCAD Universe
756-3204/190-150

