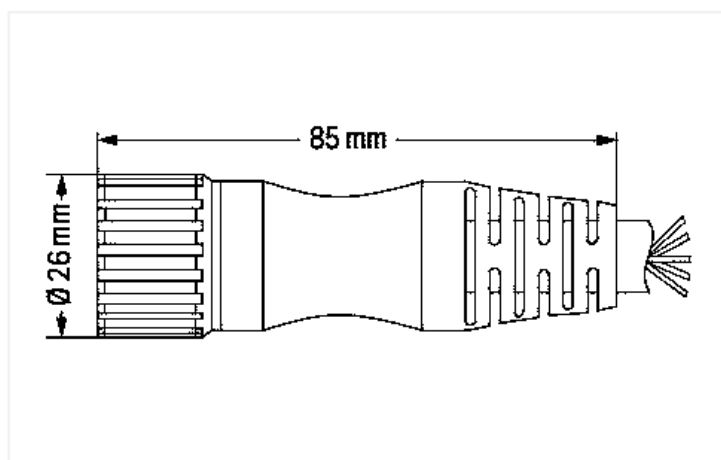


Color: black

Pin 6, 12, 19: 1,00 mm²;
Pin 1 - 5, 7 - 11, 13 - 19: 0,34 mm²

| | |
|--------------|---------------|
| 1 violett | 11 schwarz |
| 2 rot | 12 grün-gelb |
| 3 grau | 13 gelb-braun |
| 4 rot-blau | 14 braun-grün |
| 5 grün | 15 weiß |
| 6 blau | 16 gelb |
| 7 grau-rosa | 17 rosa |
| 8 weiß-grün | 18 grau-braun |
| 9 weiß-gelb | 19 braun |
| 10 weiß-grau | |



Dimensions in mm

Technical data

| | |
|--|-------------------------------|
| Connection type | M23 socket - free end |
| Pole number | 19 |
| Cable connection direction to mating direction | 0° |
| Cable length | 15 m |
| Operating voltage | ≤ 300 V |
| Operating current | 8 A 10 mm ² 1 A |
| Rated surge voltage | ≥ 2.0 kV rms |

Mechanical Data

| | |
|-------------------------|------------------|
| Bending cycles | 2 million |
| Drag chain capability | Yes |
| Sheathed cable diameter | 11.3 ... 11.9 mm |
| Weight | 2089 g |
| Color | black |

Environmental requirements

| | |
|---|----------------|
| Ambient (operating) temperature (dynamic) | -25 ... +80 °C |
| Ambient (operating) temperature (static) | -40 ... +80 °C |
| Protection type | IP67 |
| Fire load | 0 MJ |

Commercial data

| | |
|-----------------------|----------------------------------|
| Product Group | 23 (I/O passive and accessories) |
| eCl@ss 10.0 | 27-06-03-11 |
| eCl@ss 9.0 | 27-06-03-11 |
| ETIM 8.0 | EC001855 |
| ETIM 7.0 | EC001855 |
| PU (SPU) | 1 pcs |
| Packaging type | Box |
| Country of origin | DE |
| GTIN | 4044918569064 |
| Customs tariff number | 85444290900 |

Downloads

Environmental Product Compliance

Compliance Search

Environmental Product
Compliance
756-3203/190-150



Documentation

System Description

Sensor/Actuator Bo-
xes – General Product
Information

pdf
428.34 KB



CAD/CAE-Data

CAE data

WSCAD Universe
756-3203/190-150

