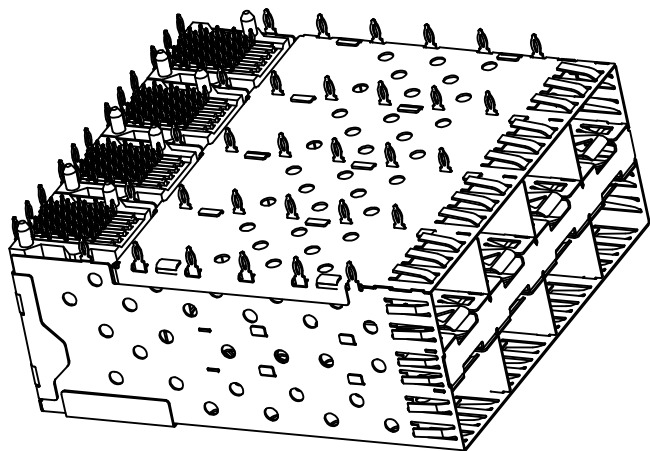
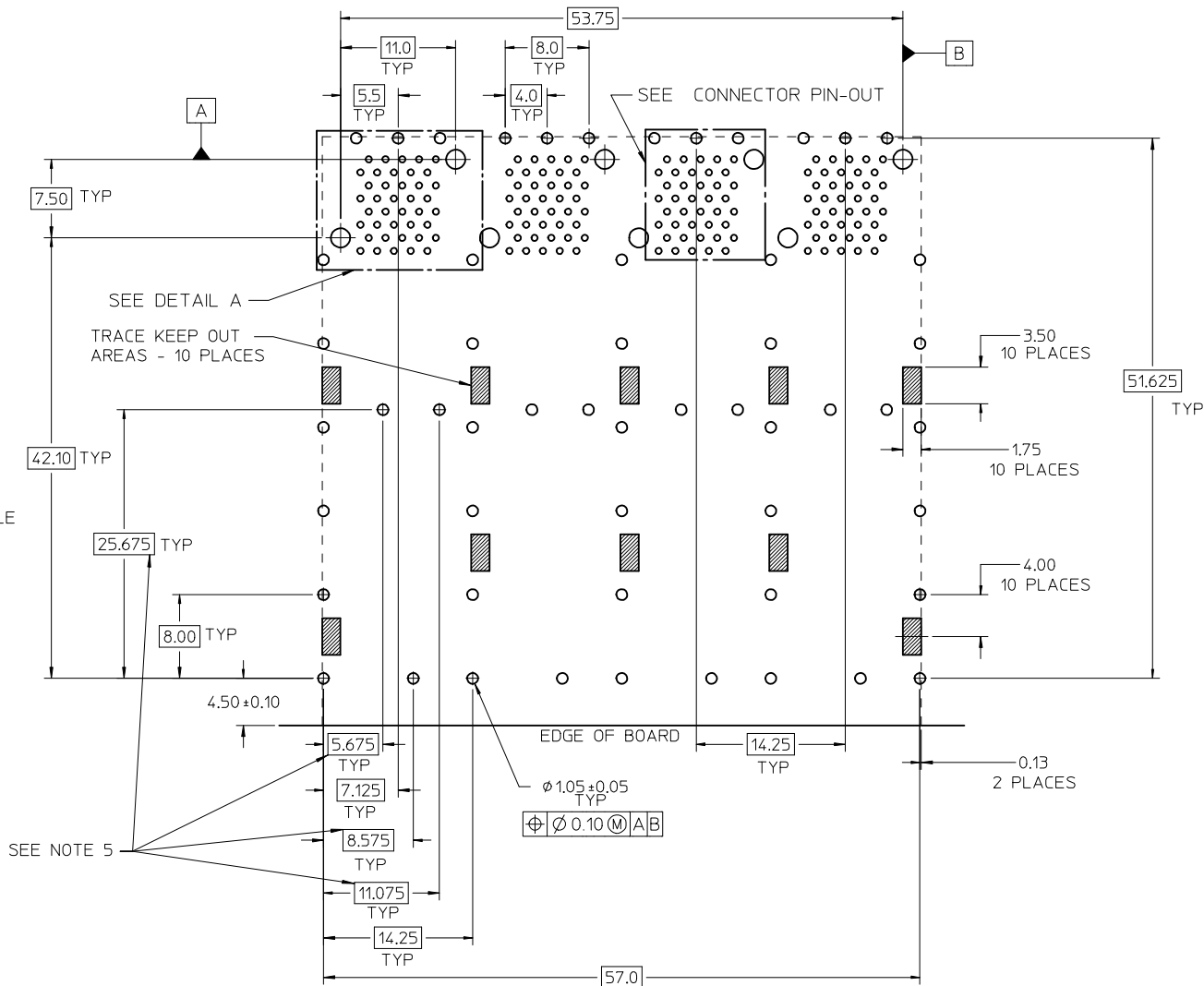
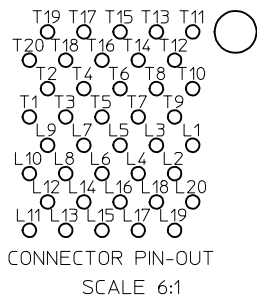
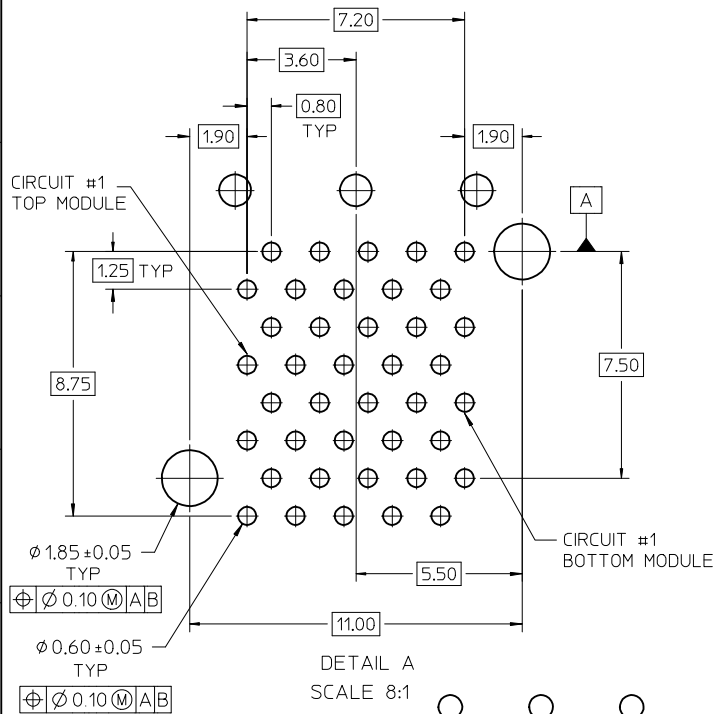


- NOTES:
- MATERIAL:
    - CAGE: NICKEL SILVER, THICKNESS: 0.25mm
    - CONNECTOR HOUSING: GLASS FILLED HIGH TEMP PLASTIC, 94 V-0
    - COLOR: BLACK
    - OVERMOLDED TERMINAL HOUSING: GLASS FILLED HIGH TEMP PLASTIC, 94 V-0, COLOR: BLACK
    - TERMINALS: TIN BRASS
  - FINISH:
    - CAGE ASS'Y: POST-PLATED - NICKEL (MATTE) 2-5 MICROMETERS NICKEL OVER 2 MICROMETERS COPPER BASE.
    - TERMINALS: CONTACT AREA: 0.76 MICROMETERS MINIMUM HARD GOLD OVER 1.27 MICROMETERS NICKEL.
    - COMPLIANT TAIL - TIN/LEAD OPTION: 0.76 - 1.52 MICROMETERS 90/10 TIN/LEAD OVER 0.76 - 1.52 MICROMETERS NICKEL
    - COMPLIANT TAIL - TIN OPTION: 0.76 - 1.52 MICROMETERS TIN OVER 0.76 - 1.52 MICROMETERS NICKEL
  - REFER TO PS-75310-001 PRODUCT SPEC FOR ALL ELECTRICAL, MECHANICAL AND ENVIRONMENTAL SPECIFICATIONS.
  - REFER TO PK-75450-001 FOR ALL PACKAGING SPECIFICATIONS.
  - THE CURVED TAILS THAT GO INTO THE HOLES LOCATED BY THESE DIMENSIONS ARE BEING ELIMINATED. TO ACCOMMODATE THIS CONVERSION, IT IS RECOMMENDED THAT BOARDS DESIGNED TO THIS PRINT REVISION INCLUDE THESE HOLES.
  - PART COMPLIES WITH COSMETIC SPECIFICATION PS-45499-002. SEE SHEET 3 SECTION Z-Z FOR SURFACE CLASSIFICATIONS. UNDERSIDE OF CAGE COMPLIES WITH CLASS "C".

754545101	TIN
754541001	TIN / LEAD
MATERIAL NO.	TERMINAL TAIL PLATING

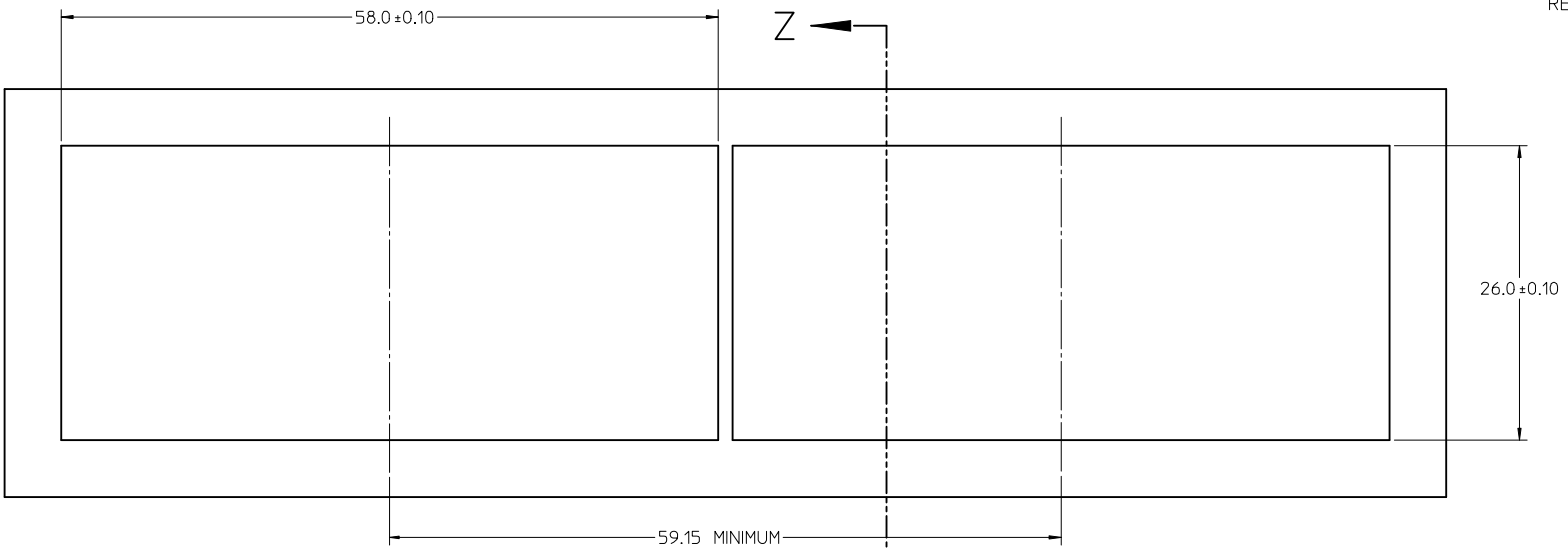
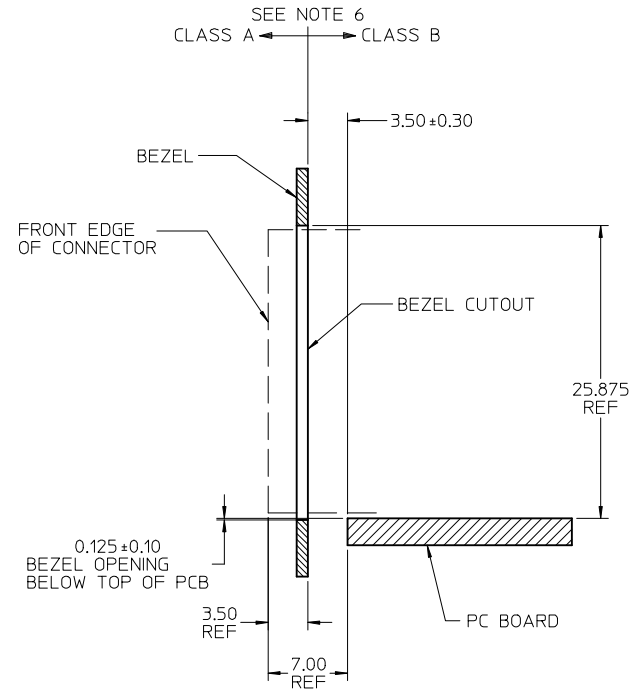
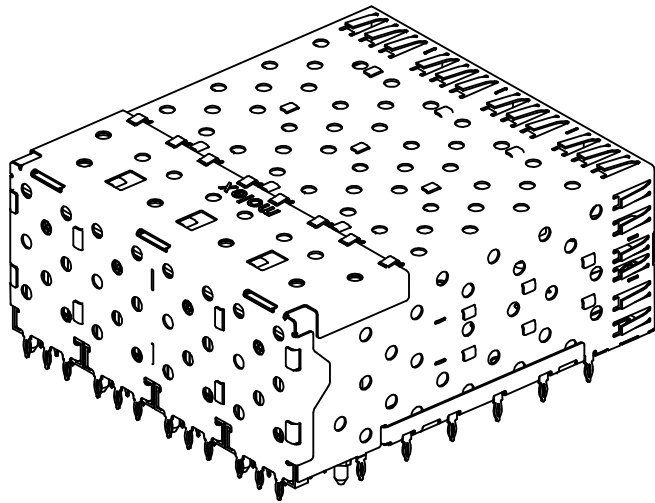
<b>ADD KEEP OUT ZONES</b> EC NO: UCP2010-0369 DRWING: SBARRA 2009/06/29 CHKD: BARKER 2009/08/26 APPR: SMILLER 2009/08/27	QUALITY SYMBOLS ▽=0 ▽=0	GENERAL TOLERANCES (UNLESS SPECIFIED)		DIMENSION STYLE <b>MM/IN</b>		SCALE <b>3:1</b>	DESIGN UNITS <b>METRIC</b>	THIRD ANGLE PROJECTION			
		4 PLACES ± --- ± --- 3 PLACES ± --- ± --- 2 PLACES ± 0.13 ± --- 1 PLACE ± --- ± ---	mm INCH ± --- ± --- ± 0.13 ± --- ± --- ± ---	DRAWN BY JLONG	DATE 06/07/2005	TITLE <b>STACKED SFP 2X4 MEDIUM HEIGHT ASS'Y, PRESS-FIT TAIL WITHOUT LIGHT PIPES</b>		MOLEX INCORPORATED			
		ANGULAR ± 5 °		CHECKED BY JLONG	DATE 06/07/2005	APPROVED BY RNELSON		MATERIAL NO. <b>SD-75454-002</b>	SHEET NO. <b>1 OF 3</b>		
		DRAFT WHERE APPLICABLE MUST REMAIN WITHIN DIMENSIONS		SEE TABLE		THIS DRAWING CONTAINS INFORMATION THAT IS PROPRIETARY TO MOLEX INCORPORATED AND SHOULD NOT BE USED WITHOUT WRITTEN PERMISSION					



RECOMMENDED PCB LAYOUT - COMPONENT SIDE  
 RECOMMENDED PCB THICKNESS - 2.36 MM (.093 INCH)

THE ENTIRE AREA OF THE CONNECTOR FOOTPRINT  
 TO BE CONSIDERED THE KEEP OUT AREA FOR COMPONENTS  
 THIS AREA IS INDICATED BY THE DASHED LINE

<b>ADD KEEP OUT ZONES</b> EC NO: UCP2010-0369 DRW:MSI BARRA 2009/06/29 CHK:DBARKER 2009/08/26 APPR:SMILLER 2009/08/27	QUALITY SYMBOLS 	GENERAL TOLERANCES (UNLESS SPECIFIED)		DIMENSION STYLE MM/IN	SCALE 3:1	DESIGN UNITS METRIC	THIRD ANGLE PROJECTION
		4 PLACES ± --- ± --- 3 PLACES ± --- ± --- 2 PLACES ± 0.13 ± --- 1 PLACE ± --- ± ---	mm INCH ± --- ± --- ± 0.13 ± --- ± --- ± ---	DRAWN BY JLONG 06/07/2005	DATE 06/07/2005	CHECKED BY JLONG 06/07/2005	DATE 06/07/2005
APPROVED BY RNELSON	DATE 06/07/2005	MATERIAL NO. <b>SEE TABLE</b>		DOCUMENT NO. <b>SD-75454-002</b>		SHEET NO. <b>2 OF 3</b>	
DRAFT WHERE APPLICABLE MUST REMAIN WITHIN DIMENSIONS							
THIS DRAWING CONTAINS INFORMATION THAT IS PROPRIETARY TO MOLEX INCORPORATED AND SHOULD NOT BE USED WITHOUT WRITTEN PERMISSION							



BEZEL CUTOUT CENTER SPACING DETAIL  
BEZEL THICKNESS 0.8-2.6

SEE SHEET 1 EC NO: UCP2010-0369 DRWINMS IBARRA 2009/06/29 CHYKD:BBARKER 2009/08/26 APPR:SMILLER 2009/08/27	QUALITY SYMBOLS	GENERAL TOLERANCES (UNLESS SPECIFIED)		DIMENSION STYLE		SCALE	DESIGN UNITS	THIRD ANGLE PROJECTION	
	▼=0	mm	INCH	MM/IN		3:1	METRIC		
	▽=0	4 PLACES ± ---	± ---	DRAWN BY	DATE	TITLE STACKED SFP 2X4 MEDIUM HEIGHT ASS'Y, PRESS-FIT TAIL WITHOUT LIGHT PIPES			
		3 PLACES ± ---	± ---	JLONG	06/07/2005				
	2 PLACES ± 0.13	± ---	CHECKED BY	DATE	MOLEX INCORPORATED SD-75454-002				
	1 PLACE ± ---	± ---	JLONG	06/07/2005					
		ANGULAR ± 5 °		APPROVED BY	DATE	DOCUMENT NO.		SHEET NO.	
		DRAFT WHERE APPLICABLE MUST REMAIN WITHIN DIMENSIONS		RNELSON		SD-75454-002		3 OF 3	
				MATERIAL NO.		THIS DRAWING CONTAINS INFORMATION THAT IS PROPRIETARY TO MOLEX INCORPORATED AND SHOULD NOT BE USED WITHOUT WRITTEN PERMISSION			
				SIZE					