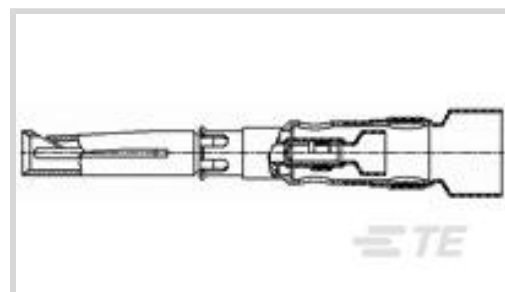




Cable Assemblies > Data Bus Components > Data Bus Connectors



Contact Type: **Socket**

### Features

#### Contact Features

Contact Type	Socket
--------------	--------

#### Termination Features

Termination Method to Wire & Cable	Solder
------------------------------------	--------

#### Usage Conditions

Operating Temperature (Max)	125 °C
-----------------------------	--------

### Product Compliance

[For compliance documentation, visit the product page on TE.com>](#)

EU RoHS Directive 2011/65/EU	Not Compliant
EU ELV Directive 2000/53/EC	Not Compliant
China RoHS 2 Directive MIIT Order No 32, 2016	Restricted Materials Above Threshold
EU REACH Regulation (EC) No. 1907/2006	Current ECHA Candidate List: JUNE 2024 (241) Candidate List Declared Against: JAN 2024 (240) SVHC > Threshold: Pb (37% in Solder) <small>Article Safe Usage Statements: Do not eat, drink or smoke when using this product. Wash thoroughly after handling. Recycle if possible and dispose of the article by following all applicable governmental regulations relevant to your geographic location.</small>
Halogen Content	BFR/CFR/PVC Free, but Br/Cl >900 ppm in other sources.
Solder Process Capability	Not applicable for solder process capability

#### Product Compliance Disclaimer

This information is provided based on reasonable inquiry of our suppliers and represents our current actual knowledge based on the information they provided. This information is subject to change. The part numbers that TE has identified as EU RoHS compliant have a maximum concentration of 0.1% by weight in homogenous materials for lead, hexavalent chromium, mercury, PBB, PBDE, DBP, BBP, DEHP, DIBP, and 0.01% for cadmium, or qualify for an exemption to these


limits as defined in the Annexes of Directive 2011/65/EU (RoHS2). Finished electrical and electronic equipment products will be CE marked as required by Directive 2011/65/EU. Components may not be CE marked. Additionally, the part numbers that TE has identified as EU ELV compliant have a maximum concentration of 0.1% by weight in homogenous materials for lead, hexavalent chromium, and mercury, and 0.01% for cadmium, or qualify for an exemption to these limits as defined in the Annexes of Directive 2000/53/EC (ELV). Regarding the REACH Regulation, the information TE provides on SVHC in articles for this part number is based on the latest European Chemicals Agency (ECHA) 'Guidance on requirements for substances in articles' posted at this URL: <https://echa.europa.eu/guidance-documents/guidance-on-reach>

## Compatible Parts



TE Part # 750984-004  
10612-24-9

## Customers Also Bought



TE Part #2-640551-0  
20P MTA156 COVER



TE Part #ZPF000000000033344  
983-0S 18-14 SN-L



TE Part #ZPF000000000206299  
DMC-M 22-07 PB




TE Part #ZPF000000000018075  
FDBA 50-14-12 PW-K



TE Part #ZPF000000000018615  
FDBA 50-24-61 PY-K 090




TE Part #ZPF000000000018719  
FDBA 50H 12-10 PX-K




TE Part #ZPF000000000011542  
BJE 203



TE Part #ZPF000000000013293  
DBAS 76-37-30 SN 090 A5514



TE Part #ZPF0000000000207643  
610-0065-03



TE Part #ZPF0000000000207644  
610-0065-55

## Documents



### Product Drawings

[D-602-0153](#)

English

---

### Datasheets & Catalog Pages

[Data Bus Components Brochure](#)

English

---

### Product Specifications

[Terminating SolderTacts Triaxial Contacts D-602-1116 and D-602-1117 to Triaxial Cables, Raychem Part No. 9530D5317 and 5022E5111](#)

English