

**PLEASE CHECK WWW.MOLEX.COM FOR LATEST PART INFORMATION**

**Part Number:** [75235-2768](#)  
**Status:** **Active**  
**Overview:** GbX® Backplane Connector System  
**Description:** 1.85mm by 1.85mm Pitch 4-Pair GbX® Backplane Connector System, Left Guide Header, 56 Circuits, Gold (Au) 1.27µm, Pin Length 4.55mm

**Documents:**

[Drawing \(PDF\)](#) [RoHS Certificate of Compliance \(PDF\)](#)  
[Product Specification PS-75221-999 \(PDF\)](#)

**Agency Certification**

UL E29179

**General**

Product Family Backplane Connectors  
 Series [75235](#)  
 Application Backplane  
 Application Tooling Documents TM-622022099  
 Comments Left Guide Header, Keying Position F  
 Component Type PCB Header  
 Overview [GbX® Backplane Connector System](#)  
 Product Name GbX®  
 Style N/A  
 UPC 822350176316

**Physical**

Circuits (Loaded) 56  
 Circuits (maximum) 56  
 Durability (mating cycles max) 200  
 First Mate / Last Break No  
 Flammability 94V-0  
 Guide to Mating Part Yes  
 Keying to Mating Part Yes  
 Material - Plating Mating Gold  
 Net Weight 4.435/g  
 Number of Columns 7  
 Number of Pairs 4  
 Number of Rows 8  
 Orientation Vertical  
 PC Tail Length 2.20mm  
 PCB Locator No  
 PCB Retention Yes  
 PCB Thickness - Recommended 1.60mm  
 Packaging Type Tray  
 Pitch - Mating Interface 1.85mm  
 Pitch - Termination Interface 1.85mm  
 Polarized to PCB No  
 Stackable No  
 Surface Mount Compatible (SMC) Yes  
 Temperature Range - Operating 105°C

**Electrical**

Current - Maximum per Contact 1A  
 Data Rate 8.0 Gbps  
 Real Signals (per 25mm) 108  
 Shield Type Ground Plane Shield

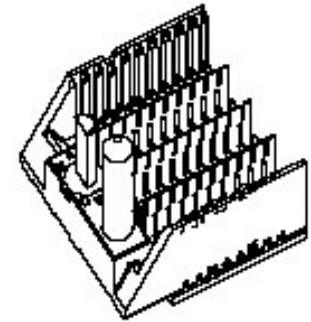


image - Reference only

Series

**EU RoHS**

**ELV and RoHS Compliant**  
**REACH SVHC**  
 Not Reviewed  
**Low-Halogen Status**  
 Not Reviewed

**China RoHS**



**Need more information on product environmental compliance?**

Email [productcompliance@molex.com](mailto:productcompliance@molex.com)  
 For a multiple part number RoHS Certificate of Compliance, [click here](#)

Please visit the [Contact Us](#) section for any non-product compliance questions.

**Search Parts in this Series**

[75235Series](#)

**Mates With**

[75220 GbX® Daughtercard](#)

**Application Tooling | FAQ**

*Tooling specifications and manuals are found by selecting the products below. Crimp Height Specifications are then contained in the Application Tooling Specification document.*

**Global**

Description	Product #
Insertion Tool for 4-Pair by 7-Column	<a href="#">0622022120</a>

Shielded	Yes
Voltage - Maximum	120V AC (RMS)/DC

### **Material Info**

### **Reference - Drawing Numbers**

Product Specification	PS-75221-999
Sales Drawing	SD-75235-270

GbX is a registered trademark of Amphenol Corporation.

This document was generated on 01/03/2013

**PLEASE CHECK [WWW.MOLEX.COM](http://WWW.MOLEX.COM) FOR LATEST PART INFORMATION**