

**PLEASE CHECK WWW.MOLEX.COM FOR LATEST PART INFORMATION**

**Part Number:** [75134-1001](#)  
**Status:** **Active**  
**Overview:** [DMS-59®](#)  
**Description:** 1.27mm Pitch DMS-59® Receptacle, Shielded, Right Angle

**Documents:**

[3D Model](#) [Product Specification PS-75134-001 \(PDF\)](#)  
[Drawing \(PDF\)](#) [RoHS Certificate of Compliance \(PDF\)](#)

**General**

Product Family	I/O Connectors
Series	75134
Application	Wire-to-Board
Component Type	Receptacle
Overview	<a href="#">DMS-59®</a>
Product Name	DMS59®
Type	N/A
UPC	756054675670

**Physical**

Circuits (Loaded)	59
Circuits (maximum)	59
Color - Resin	Black
Lock to Mating Part	Yes
Material - Metal	Beryllium Copper
Material - Plating Mating	Gold, N/A
Material - Plating Termination	Tin
Material - Resin	High Temperature Thermoplastic
Net Weight	10.698/g
Orientation	Right Angle
PC Tail Length	2.34mm
PCB Retention	Yes
PCB Thickness - Recommended	1.60mm
Packaging Type	Tube
Panel Mount	Yes
Pitch - Mating Interface	1.27mm
Plating min - Mating	0.051µm
Plating min - Termination	2.540µm
Polarized to Mating Part	Yes
Surface Mount Compatible (SMC)	Yes
Temperature Range - Operating	-20°C to +80°C
Termination Interface: Style	N/A, Surface Mount
Wire Size AWG	N/A

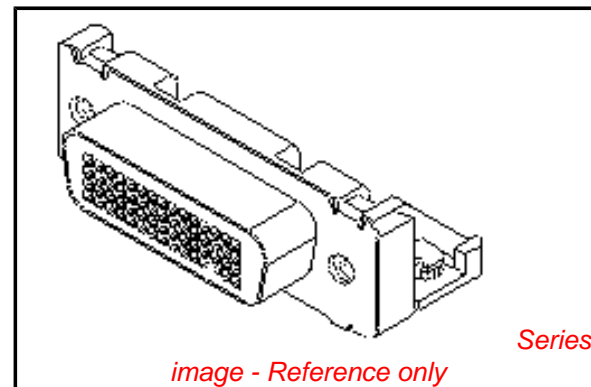
**Electrical**

Current - Maximum per Contact	1A
Shielded	Yes
Voltage - Maximum	40V

**Solder Process Data**

Duration at Max. Process Temperature (seconds)	40
Lead-free Process Capability	Wave Capable (TH only)
Max. Cycles at Max. Process Temperature	3
Process Temperature max. C	245

**Material Info**



**EU RoHS**

**ELV and RoHS  
Compliant**  
**REACH SVHC**  
 Not Reviewed  
**Low-Halogen Status**  
**Low-Halogen**

**China RoHS**



**Need more information on product  
environmental compliance?**

Email [productcompliance@molex.com](mailto:productcompliance@molex.com)  
 For a multiple part number RoHS Certificate of Compliance, [click here](#)

Please visit the [Contact Us](#) section for any non-product compliance questions.

**Search Parts in this Series**

[75134Series](#)

**Mates With**

[75135](#)

**Use With**

Hex Screw Kit Packaged with Screwlock  
 709821003 (4-40 Internal Thread)

**Reference - Drawing Numbers**

Product Specification  
Sales Drawing

PS-75134-001  
SD-75134-001

This document was generated on 01/22/2013

**PLEASE CHECK [WWW.MOLEX.COM](http://WWW.MOLEX.COM) FOR LATEST PART INFORMATION**