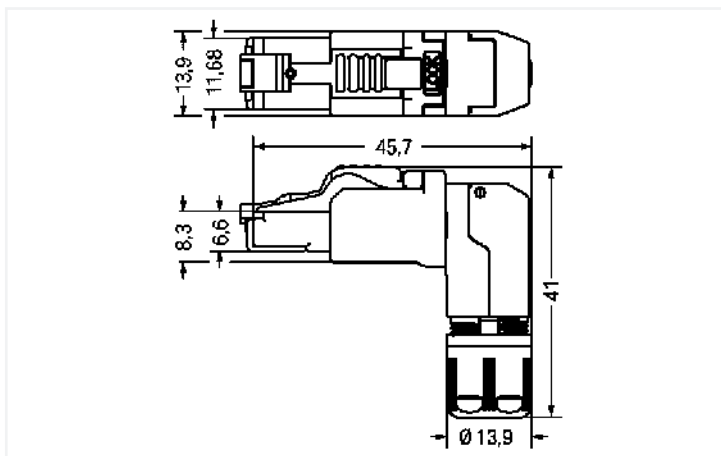
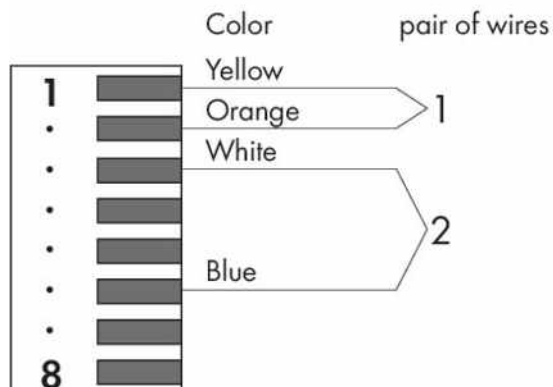


<https://www.wago.com/750-979/000-013>



### Pin assignment PROFINET



Dimensions in mm

#### Technical data

Connection type	RJ-45 plug
Pole number	8
Cable connection direction to mating direction	90°
Cable connection direction (note)	Selectable position
Communication/fieldbus	PROFINET
Code	PROFINET
Baud rate	-

#### Connection data

Connection type 1	IDC contact
Solid conductor	0.21 ... 0.32 mm <sup>2</sup> / 24/1 ... 22/1 AWG
Stranded conductor 2	0.11 ... 0.36 mm <sup>2</sup> / 27/7 ... 22/7 AWG

### Physical data

Width	13.9 mm
Height	41 mm
Depth	45.7 mm

### Mechanical Data

Connection requirement (permissible cable type)	Cat. 6A
Connectable sheathed cable diameter	5.5 ... 10 mm
Housing material	Zinc die casting
Weight	26 g

### Environmental requirements

Ambient temperature (operation)	-40 ... +85 °C
Surrounding air temperature (storage)	-40 ... +85 °C
Protection type	IP20
Relative humidity (without condensation)	95 %
Fire load	0 MJ
Standards/specifications	IEC60603-7-51, ISO/IEC 11801, IEEE 802.3an EIA/TIA 568-C.2 DIN EN 50173-1 UL 1863 UL 2043

### Commercial data

PU (SPU)	1 pcs
Packaging type	Bag
Country of origin	TW
GTIN	4055143586306
Customs tariff number	85366990990