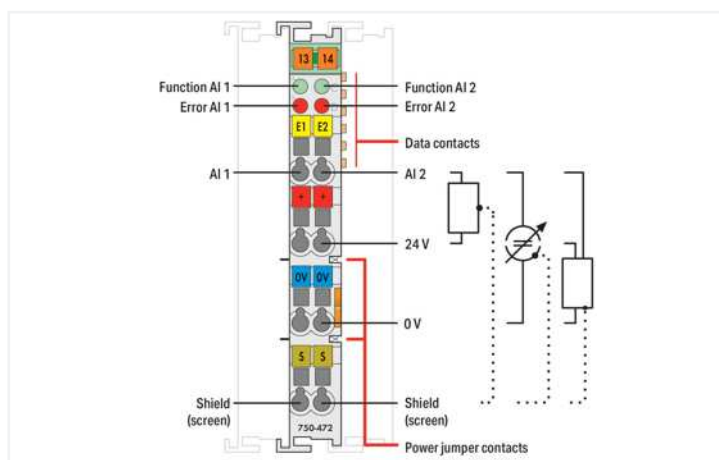
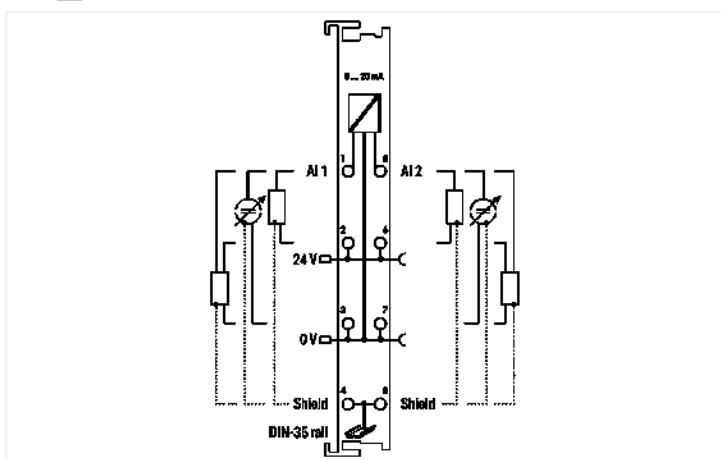
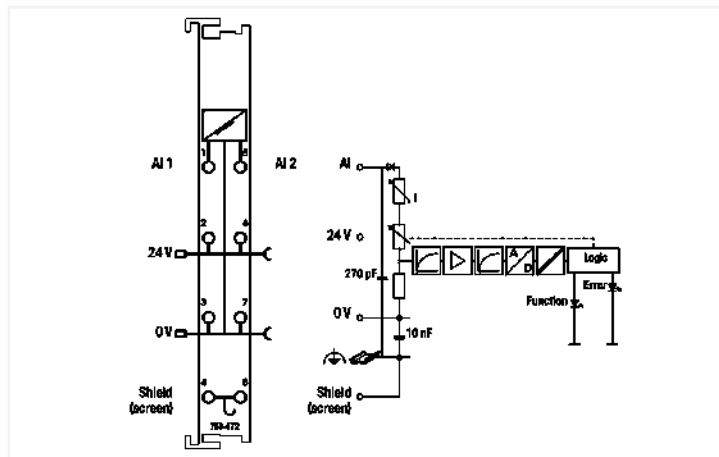




Color: light gray



This analog input module powers field-side signal conditioners and transmits electrically isolated analog signals to the bus system.

The 24 V field supply is derived from the module's power jumper contacts.

The shield directly connects to the DIN-rail.

At approximately 25 mA, overload protection switches the measurement input to a high-resistance state. Once normal operating conditions resume, the measurement input will automatically switch back.

This module powers 2-wire signal conditioners without dedicated power supply.

### Technical data

|  |  |
|--|--|
| Number of analog inputs  | 2  |
| Total number of channels (module)                              | 2  |
| Signal type  | Current  |
| Signal type (current)  | 0 ... 20 mADC  |
| Sensor connection  | 2 x (2-wire, 3-wire)   |
| Input filter frequency (analog)                                | 50 Hz  |
| Input voltage (max.)   | 24 V   |
| Input voltage (note)   | Non-linear, overload protected $U = 1.2 V + 160 \Omega \times I_{\text{meas}}$ |
| Signal characteristics   | Single-ended   |
| Resolution [bit]   | 15 bits  |
| Input resistance (max.)  | 220 $\Omega$   |
| Data width   | 2 x 16-bit data; 2 x 8-bit control/status (optional)                           |
| Overvoltage protection   | 30 V, reverse polarity protected   |
| Noise rejection at sampling frequency                          | -100 dB  |
| Noise rejection above sampling frequency                       | -40 dB   |
| Conversion time (typ.)   | 80 ms  |
| Measurement error (reference temperature)                      | 25 °C  |
| Measurement error, deviation (max.) from the upper-range value | 0.1 %  |

### Technical data

|   |   |
|---|---|
| Temperature error (max.) of the upper-range value | 0.01 %/K  |
| Supply voltage (system)                           | 5 VDC; via data contacts  |
| Current consumption (5 V system supply)           | 75 mA   |
| Supply voltage (field)                            | 24 VDC (-25 ... +30 %); via power jumper contacts (power supply via blade contact; transmission via spring contact) |
| Isolation   | 500 V system/field  |
| Indicators  | LED (A, C) green: Function AI 1, AI 2; LED (B, D) red: Error AI 1, AI 2   |
| Number of incoming power jumper contacts          | 2   |
| Number of outgoing power jumper contacts          | 2   |

### Connection data

|                                       |  |
|---------------------------------------|--|
| Connection technology: inputs/outputs | 8 x CAGE CLAMP®                              |
| Connection type 1                     | Inputs/outputs                               |
| Solid conductor                       | 0.08 ... 2.5 mm <sup>2</sup> / 28 ... 14 AWG |
| Fine-stranded conductor               | 0.08 ... 2.5 mm <sup>2</sup> / 28 ... 14 AWG |
| Strip length                          | 8 ... 9 mm / 0.31 ... 0.35 inches            |

### Physical data

|                                   |                        |
|-----------------------------------|------------------------|
| Width                             | 12 mm / 0.472 inches   |
| Height                            | 100 mm / 3.937 inches  |
| Depth                             | 69.8 mm / 2.748 inches |
| Depth from upper-edge of DIN-rail | 62.6 mm / 2.465 inches |

### Mechanical Data

|               |             |
|---------------|-------------|
| Mounting type | DIN-35 rail |
|---------------|-------------|

### Material Data

|                    |                              |
|--------------------|------------------------------|
| Color              | light gray                   |
| Housing material   | Polycarbonate; polyamide 6.6 |
| Fire load          | 1.035 MJ                     |
| Weight             | 52.5 g                       |
| Conformity marking | CE                           |

### Environmental requirements

|  |                                       |
|--|---------------------------------------|
| Ambient temperature (operation)  | 0 ... +55 °C                          |
| Surrounding air temperature (storage)  | -25 ... +85 °C                        |
| Protection type  | IP20                                  |
| Pollution degree (5)   | 2 per IEC 61131-2                     |
| Operating altitude   | 0 ... 2000 m / 0 ... 6562 ft          |
| Mounting position  | horizontal (standing/lying); vertical |
| Relative humidity (without condensation)   | 95 %                                  |
| Vibration resistance   | 4g per IEC 60068-2-6                  |
| Shock resistance   | 15g per IEC 60068-2-27                |
| EMC immunity to interference   | per EN 61000-6-2, marine applications |
| EMC emission of interference   | per EN 61000-6-4, marine applications |
| Exposure to pollutants   | per IEC 60068-2-42 and IEC 60068-2-43 |
| Permissible H <sub>2</sub> S contaminant concentration at a relative humidity 75 % | 10 ppm                                |
| Permissible SO <sub>2</sub> contaminant concentration at a relative humidity 75 %  | 25 ppm                                |

| Commercial data       |                 |
|-----------------------|-----------------|
| Product Group         | 15 (I/O System) |
| eCl@ss 10.0           | 27-24-26-01     |
| eCl@ss 9.0            | 27-24-26-01     |
| ETIM 8.0              | EC001596        |
| ETIM 7.0              | EC001596        |
| PU (SPU)              | 1 pcs           |
| Packaging type        | Box             |
| Country of origin     | DE              |
| GTIN                  | 4045454393250   |
| Customs tariff number | 85389099990     |

**Approvals / Certificates**

**General approvals**



| Approval  | Standard               | Certificate Name                |
|---|------------------------|---------------------------------|
| EAC<br>Brjansker Zertifizierungsstelle                    | TP TC 020/2011         | EAC RU C-DE.AM02.<br>B.00087/19 |
| KC<br>National Radio Research Agency                      | Article 58-2, Clause 3 | MSIP-REM-W43-AIM750             |
| UL<br>Underwriters Laboratories Inc. (ORDINARY LOCATIONS) | UL 508                 | E175199 Sec.1                   |

**Approvals for marine applications**



| Approval  | Standard              | Certificate Name  |
|---|-----------------------|-------------------|
| ABS<br>American Bureau of Shipping                    | -                     | 22-2219060        |
| BSH<br>Bundesamt fuer Seeschifffahrt und Hydrographie | -                     | 1104              |
| BV<br>Bureau Veritas S.A.                             | -                     | 13453/E0 BV       |
| DNV<br>DNV Germany GmbH                               | DNV-CG-0339, Aug.2021 | TAA0000194        |
| KR<br>Korean Register of Shipping                     | -                     | KR HMB05880-AC001 |
| LR<br>Lloyds Register EMEA                            | -                     | LR22180952TA      |
| PRS<br>Polski Rejestr Statków                         | -                     | TE/2236/880590/19 |
| RINA<br>RINA Germany GmbH                             | -                     | ELE343521XG001    |

**Approvals for hazardous areas**



| Approval                                 | Standard       | Certificate Name                                     |
|--|----------------|--|
| ATEX<br>TUEV Nord Cert GmbH              | EN 60079-0     |  |
| CCC<br>CNEX                              | CNCA-C23-01    | 2020312310000213 (Ex ec IIC T4 Gc)                   |
| EAC<br>Brjansker Zertifizierungsstelle   | TP TC 012/2011 | EAC RU C-DE.AM02.<br>B.00163/19 (2Ex nA IIC T4 Gc X) |
| IECEX<br>TUEV Nord Cert GmbH             | IEC 60079-0    | IECEX_TUN_14.0035_X<br>(Ex ec IIC T4 Gc)             |
| INMETRO<br>TUV Rheinland do Brasil Ltda. | IEC 60079-0    | BR-Ex_TUV 12.1297 X                                  |
| UKEx<br>WAGO GmbH & Co. KG               | EN 60079-0     | UKCA_WA<br>GO22UKEX003X_ec                           |

**Approvals for hazardous areas**

|  |           |               |
|--|-----------|---------------|
| UL<br>Underwriters Laboratories Inc. (HAZARDOUS LOCATIONS) | UL 121201 | E198726 Sec.1 |
|--|-----------|---------------|

## Downloads

## Environmental Product Compliance

## Compliance Search


Environmental Product Compliance 750-472



## Documentation

## Manual


|  |         |     |            |   |
|--|---------|-----|------------|---|
| Product Manual 2-channel, 0-20mA, single-ended | V 1.1.0 | pdf | 2162.32 KB |  |
|--|---------|-----|------------|---|

|                                       |                       |     |            |   |
|---------------------------------------|-----------------------|-----|------------|---|
| System Manual WAGO I/O System 750/753 | V 3.1.0<br>05.12.2022 | pdf | 8495.90 KB |  |
|---------------------------------------|-----------------------|-----|------------|---|

|                              |  |  |  |   |
|------------------------------|--|--|--|---|
| System Manual Series 750/753 |  |  |  |  |
|------------------------------|--|--|--|---|


## System Description


|   |     |           |   |
|---|-----|-----------|---|
| 750/753 Series I/O-System – General Product Information | pdf | 953.35 KB |  |
|---|-----|-----------|---|

|   |     |           |   |
|---|-----|-----------|---|
| Overview on WAGO-I/O-SYSTEM 750 approvals | pdf | 770.48 KB |  |
|---|-----|-----------|---|

|                               |         |     |            |   |
|-------------------------------|---------|-----|------------|---|
| Use in Hazardous Environments | V 1.0.0 | pdf | 1007.06 KB |  |
|-------------------------------|---------|-----|------------|---|


## Bid Text

|         |            |     |         |   |
|---------|------------|-----|---------|---|
| 750-472 | 19.02.2019 | xml | 4.71 KB |  |
|---------|------------|-----|---------|---|


|         |            |     |          |   |
|---------|------------|-----|----------|---|
| 750-472 | 17.10.2017 | doc | 28.00 KB |  |
|---------|------------|-----|----------|---|


## CAD/CAE-Data


## CAD data

|                      |   |
|----------------------|---|
| 2D/3D Models 750-472 |  |
|----------------------|---|

## CAE data


|                           |   |
|---------------------------|---|
| EPLAN Data Portal 750-472 |  |
|---------------------------|---|

|                        |   |
|------------------------|---|
| WSCAD Universe 750-472 |  |
|------------------------|---|

|                      |   |
|----------------------|---|
| ZUKEN Portal 750-472 |  |
|----------------------|---|

## Device Files

## Device Driver

|  |                       |     |            |   |
|--|-----------------------|-----|------------|---|
| WAGO USB Service Kabel Treiber / Serie 750 und 857 | 6.5.3.0<br>10.09.2014 | zip | 4721.96 KB |  |
|--|-----------------------|-----|------------|---|

## 1 Compatible Products

## 1.1 Optional Accessories

## 1.1.1 DIN-rail

1.1.1.1 Mounting accessories



**Item No.: 210-196**  
Aluminum carrier rail; 35 x 8.2 mm; 1.6 mm thick; 2 m long; unslotted; similar to EN 60715; silver-colored



**Item No.: 210-198**  
Copper carrier rail; 35 x 15 mm; 2.3 mm thick; 2 m long; unslotted; according to EN 60715; copper-colored



**Item No.: 210-508**  
Steel carrier rail; 35 x 15 mm; 1.5 mm thick; 2 m long; slotted; galvanized; similar to EN 60715; silver-colored



**Item No.: 210-197**  
Steel carrier rail; 35 x 15 mm; 1.5 mm thick; 2 m long; slotted; similar to EN 60715; silver-colored



**Item No.: 210-506**  
Steel carrier rail; 35 x 15 mm; 1.5 mm thick; 2 m long; unslotted; galvanized; similar to EN 60715; silver-colored



**Item No.: 210-114**  
Steel carrier rail; 35 x 15 mm; 1.5 mm thick; 2 m long; unslotted; similar to EN 60715; silver-colored



**Item No.: 210-118**  
Steel carrier rail; 35 x 15 mm; 2.3 mm thick; 2 m long; unslotted; according to EN 60715; silver-colored



**Item No.: 210-115**  
Steel carrier rail; 35 x 7.5 mm; 1 mm thick; 2 m long; slotted; according to EN 60715; "Hole width 18 mm; silver-colored



**Item No.: 210-112**  
Steel carrier rail; 35 x 7.5 mm; 1 mm thick; 2 m long; slotted; according to EN 60715; "Hole width 25 mm; silver-colored



**Item No.: 210-504**  
Steel carrier rail; 35 x 7.5 mm; 1 mm thick; 2 m long; slotted; galvanized; according to EN 60715; silver-colored



**Item No.: 210-113**  
Steel carrier rail; 35 x 7.5 mm; 1 mm thick; 2 m long; unslotted; according to EN 60715; silver-colored



**Item No.: 210-505**  
Steel carrier rail; 35 x 7.5 mm; 1 mm thick; 2 m long; unslotted; galvanized; according to EN 60715; silver-colored

1.1.2 Marking

1.1.2.1 Group marker carrier



**Item No.: 750-106**  
Group marker carrier

1.1.2.2 Marker



**Item No.: 750-100**  
Marker card; as a DIN A4 sheet; plain



**Item No.: 2009-145/000-006**  
Mini-WSB Inline; for Smart Printer; 1700 pieces on roll; stretchable 5 - 5.2 mm; plain; snap-on type; blue



**Item No.: 2009-145/000-007**  
Mini-WSB Inline; for Smart Printer; 1700 pieces on roll; stretchable 5 - 5.2 mm; plain; snap-on type; gray



**Item No.: 2009-145/000-023**  
Mini-WSB Inline; for Smart Printer; 1700 pieces on roll; stretchable 5 - 5.2 mm; plain; snap-on type; green



**Item No.: 2009-145/000-012**  
Mini-WSB Inline; for Smart Printer; 1700 pieces on roll; stretchable 5 - 5.2 mm; plain; snap-on type; orange



**Item No.: 2009-145/000-005**  
Mini-WSB Inline; for Smart Printer; 1700 pieces on roll; stretchable 5 - 5.2 mm; plain; snap-on type; red



**Item No.: 2009-145/000-024**  
Mini-WSB Inline; for Smart Printer; 1700 pieces on roll; stretchable 5 - 5.2 mm; plain; snap-on type; violet



**Item No.: 2009-145**  
Mini-WSB Inline; for Smart Printer; 1700 pieces on roll; stretchable 5 - 5.2 mm; plain; snap-on type; white



**Item No.: 2009-145/000-002**  
Mini-WSB Inline; for Smart Printer; 1700 pieces on roll; stretchable 5 - 5.2 mm; plain; snap-on type; yellow



**Item No.: 248-501/000-006**  
Mini-WSB marking card; as card; not stretchable; plain; snap-on type; blue



**Item No.: 248-501/000-007**  
Mini-WSB marking card; as card; not stretchable; plain; snap-on type; gray



**Item No.: 248-501/000-023**  
Mini-WSB marking card; as card; not stretchable; plain; snap-on type; green



**Item No.: 248-501/000-017**  
Mini-WSB marking card; as card; not stretchable; plain; snap-on type; light green



**Item No.: 248-501/000-012**  
Mini-WSB marking card; as card; not stretchable; plain; snap-on type; orange



**Item No.: 248-501/000-005**  
Mini-WSB marking card; as card; not stretchable; plain; snap-on type; red



**Item No.: 248-501/000-024**  
Mini-WSB marking card; as card; not stretchable; plain; snap-on type; violet



**Item No.: 248-501**  
Mini-WSB marking card; as card; not stretchable; plain; snap-on type; white



**Item No.: 248-501/000-002**  
Mini-WSB marking card; as card; not stretchable; plain; snap-on type; yellow

### 1.1.2.3 Marker carrier



**Item No.: 750-103**  
Group marker carrier

### 1.1.3 Shield termination

#### 1.1.3.1 Shield clamping saddles



**Item No.: 790-108**  
Shield clamping saddle; 11 mm wide; diameter of compatible conductor; 3 ... 8 mm



**Item No.: 790-208**  
Shield clamping saddle; 12.4 mm wide; 3 ... 8 mm



**Item No.: 790-116**  
Shield clamping saddle; 19 mm wide; diameter of compatible conductor; 7 ... 16 mm



**Item No.: 790-216**  
Shield clamping saddle; 21.8 mm wide; 6 ... 16 mm



**Item No.: 790-124**  
Shield clamping saddle; 27 mm wide; diameter of compatible conductor; 6 ... 24 mm



**Item No.: 790-220**  
Shield clamping saddle; 30 mm wide; 6 ... 20 mm



**Item No.: 790-140**  
Shield clamping saddle; diameter of compatible conductor

### 1.1.4 Supply module

#### 1.1.4.1 Supply module



**Item No.: 750-612**  
Power Supply; 0 ... 230 V AC/DC



**Item No.: 750-602**  
Power Supply; 24 VDC



**Item No.: 750-601**  
Power Supply; 24 VDC; fuse holder



**Item No.: 750-610**  
Power Supply; 24 VDC; fuse holder; Diagnostics

### 1.1.5 System enclosure

#### 1.1.5.1 System enclosure



**Item No.: 850-825**  
IP65 enclosure; Aluminium (RAL 7032); WxHxD (160x100x160 mm); 9 x M12, 4 x M20



**Item No.: 850-826**  
IP65 enclosure; Aluminium (RAL 7032); WxHxD (240x100x160 mm); 4 x M20, 4 x M16, 14 x M12 cable grip



**Item No.: 850-827**  
IP65 enclosure; Aluminium (RAL 7032); WxHxD (320x100x160 mm); 4 x M20, 8 x M16, 17 x M12 cable grip



**Item No.: 850-828**  
IP65 enclosure; Aluminium (RAL 7032); WxHxD (480x100x160 mm); 4 x M20, 10 x M16, 35 x M12 cable grip



**Item No.: 850-826/002-000**  
IP65 enclosure; Aluminium (RAL 7035); WxHxD (240x100x160 mm); 4 x M20, 4 x M16, 14 x M12 cable grip



**Item No.: 850-827/002-000**  
IP65 enclosure; Aluminium (RAL 7035); WxHxD (320x100x160 mm); 4 x M20, 8 x M16, 17 x M12 cable grip



**Item No.: 850-828/002-000**  
IP65 enclosure; Aluminium (RAL 7035); WxHxD (480x100x160 mm); 4 x M20, 10 x M16, 35 x M12 cable grip



**Item No.: 850-834**  
IP65 enclosure; Polyester (RAL 7032); WxHxD (164x100x164 mm); 9 x M12, 4 x M20



**Item No.: 850-835**  
IP65 enclosure; Polyester (RAL 7032); WxHxD (244x100x164 mm); 4 x M20, 4 x M16, 14 x M12 cable grip



**Item No.: 850-836**  
IP65 enclosure; Polyester (RAL 7032); WxHxD (324x100x164 mm); 4 x M20, 8 x M16, 17 x M12 cable grip



**Item No.: 850-814/002-000**  
IP65 enclosure; Sheet steel (RAL 7035); WxHxD (200x120x200 mm); without flange plate



**Item No.: 850-815/002-000**  
IP65 enclosure; Sheet steel (RAL 7035); WxHxD (300x120x200 mm); without flange plate



**Item No.: 850-816/002-000**  
IP65 enclosure; Sheet steel (RAL 7035); WxHxD (400x120x200 mm); without flange plate



**Item No.: 850-817/002-000**  
IP65 enclosure; Sheet steel (RAL 7035); WxHxD (600x120x200 mm); without flange plate

Subject to changes. Please also observe the further product documentation!

---

Current addresses can be found at: [www.wago.com](http://www.wago.com)