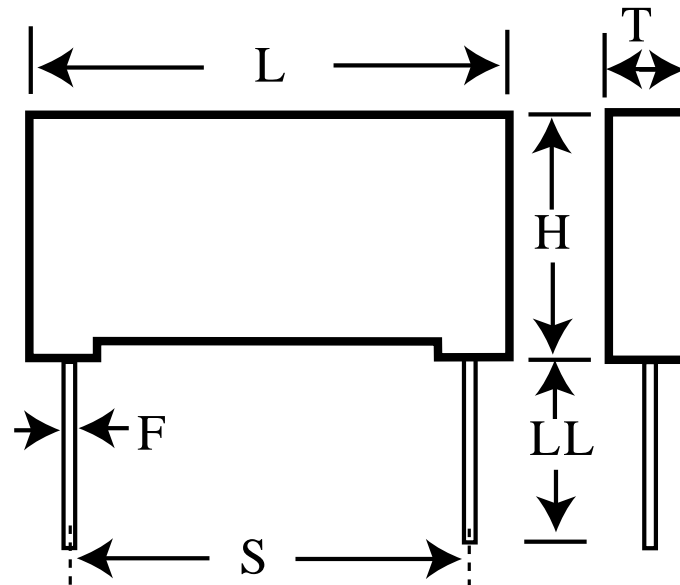


R74NI2330AA00K

aka 74NI2330AA00K

Capacitor, film, 0.033 uF, +/-10% Tol, -55/+105C, General Purpose, 1300V@85C, Lead Spacing=15 mm



Dimensions (mm)

Specifications

ID	Dimension	Tolerance	Manufacturer:	KEMET
L	18	+0.5	Brand:	Arcotronics
H	14.5	+0.1	Capacitance:	0.033 uF
T	8.5	+0.2	Temperature Range:	-55/+105C
S	15	+/-0.4	Rated Temperature:	85C
LL	4	+2	Voltage @ rated temp:	1300V
F	0.8	+/-0.05	Voltage AC:	400VAC
			Tolerance:	+/-10%
			Body Type:	Radial Box
			Construction:	Wound
			Application:	General Purpose
			Sub Application:	Pulse
			Dissipation Factor @ 1 kHz:	0.04%
			Dissipation Factor @ 10 kHz:	0.06%
			Dissipation Factor @ 100kHz:	0.25%
			Insulation Resistance:	100 GOhm
			Inductance:	10 nH
			Maximum dVdT:	2000v/us
			Maximum K0:	5200000V^2/us
			Package Kind:	Bulk
			Package Type:	Bag
			Package Quantity:	1000