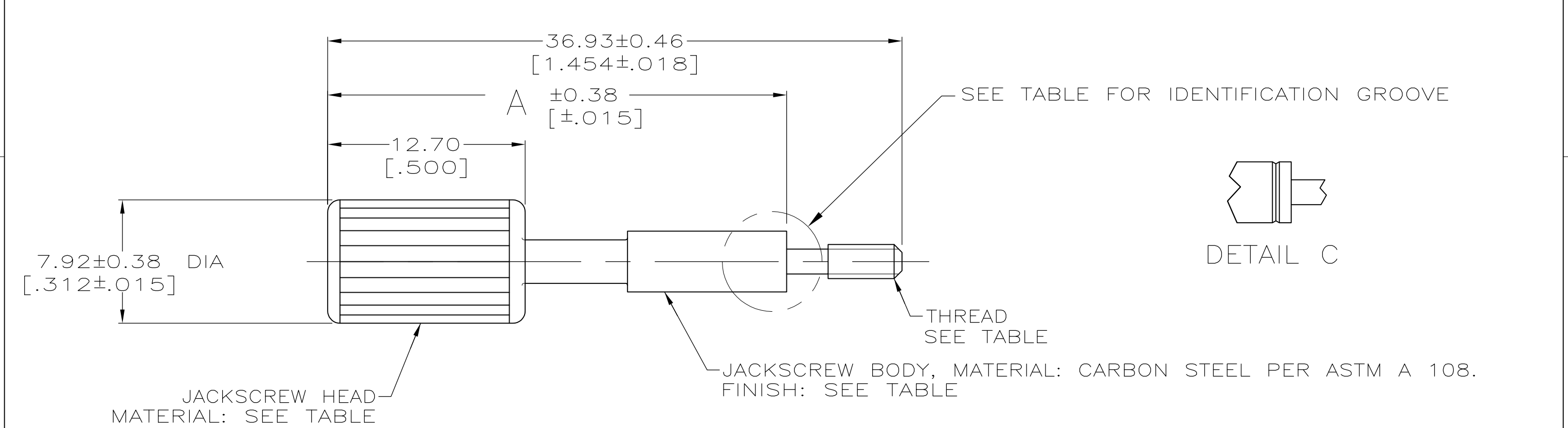


THIS DRAWING IS UNPUBLISHED. RELEASED FOR PUBLICATION
 © COPYRIGHT - By - ALL RIGHTS RESERVED.

LOC	DIST	REVISIONS					
GP	00	P	LTR	DESCRIPTION	DATE	DWN	APVD
			G3	REVISED PER ECO-11-008095	18APR2011	CJV	SLB



△7	△4	-	△2	-	29.51 [1.162]	2-56	749067-6	
	△4	△5	△6	PER DETAIL C	30.91 [1.217]	4-40	749067-5	
	△4	△5	△6	-	29.51 [1.162]	2-56	749067-4	
△8	△3	-	△2	-	29.51 [1.162]	2-56	749067-3	
△8	△3	-	△1	PER DETAIL C	30.91 [1.217]	4-40	749067-2	
△8	△3	-	△1	-	29.51 [1.162]	2-56	749067-1	
		JACKSCREW BODY FINISH	JACKSCREW HEAD MATERIAL-ALT	JACKSCREW HEAD MATERIAL	IDENTIFICATION GROOVE	A	THREAD	PART NUMBER

- △1 PVC, BLACK.
- △2 POLYPROPYLENE, BLACK.
- △3 BLACK ZINC PLATED.
- △4 BLACK TRIVALENT CHROMIUM COATED.
- △5 ROHS COMPLIANT NYLON, BLACK.
- △6 ROHS COMPLIANT POLYPROPYLENE, BLACK.
- △7 SUPERSEDED BY 749067-4.
- △8 OBSOLETE

THIS DRAWING IS A CONTROLLED DOCUMENT.

DIMENSIONS: INCHES	TOLERANCES UNLESS OTHERWISE SPECIFIED:	DWN C.OBERMAN 02/19/91	STE TE Connectivity
	0 PLC ± -	CHK J.MCCLINTON 2-20-91	
	1 PLC ± -	APVD B.TAYLOR 2-21-91	
MATERIAL SEE TABLE	FINISH SEE TABLE	PRODUCT SPEC -	
		APPLICATION SPEC -	NAME JACKSCREW ASSY, MALE, .050 SERIES, AMPLIMITE
		WEIGHT -	SIZE A3 CAGE CODE 00779 DRAWING NO C-749067 RESTRICTED TO -
		CUSTOMER DRAWING	SCALE 4:1 SHEET 1 OF 1 REV G3