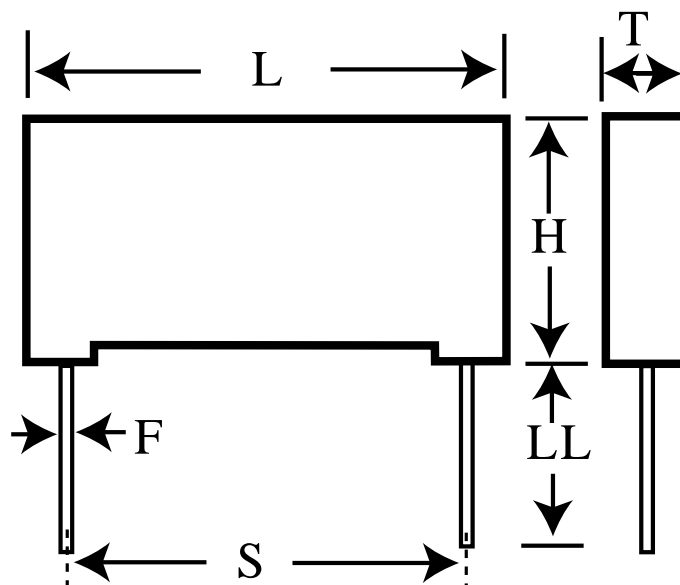


Capacitor, film, 5600 pF, +/-5% Tol, -55/+105C, Pulse, 2000V@85C,
 Lead Spacing=15 mm



Dimensions (mm)

Specifications

ID	Dimension	Tolerance
L	18	+0.3
H	12	+0.1
T	6	+0.2
S	15	+/-0.4
LL	25	+2/-1
F	0.8	+/-0.05

Manufacturer:	KEMET
Brand:	Arcotronics
Capacitance:	5600 pF
Temperature Range:	-55/+105C
Rated Temperature:	85C
Voltage @ rated temp:	2000V
Voltage AC:	700VAC
Tolerance:	+/-5%
Body Type:	Radial Box
Construction:	Wound
Application:	Pulse
Dielectric:	Metallized Polypropylene
Dissipation Factor @ 1 kHz:	0.01%
Dissipation Factor @ 10 kHz:	0.02%
Dissipation Factor @ 100kHz:	0.03%
Insulation Resistance:	100 GOhm
Inductance:	10 nH
Maximum dVdT:	9500v/us
Maximum K0:	38000000V^2/us
Package Kind:	Bulk
Package Type:	Bag
Package Quantity:	900