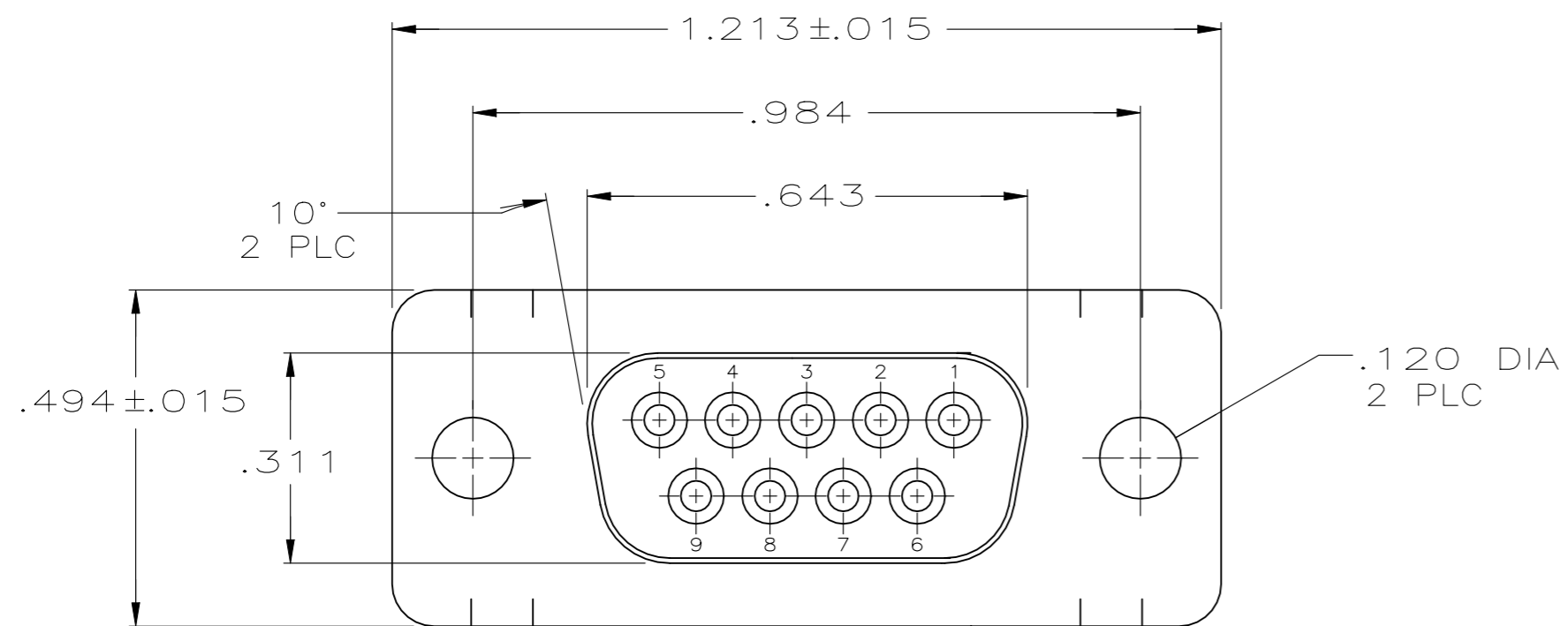
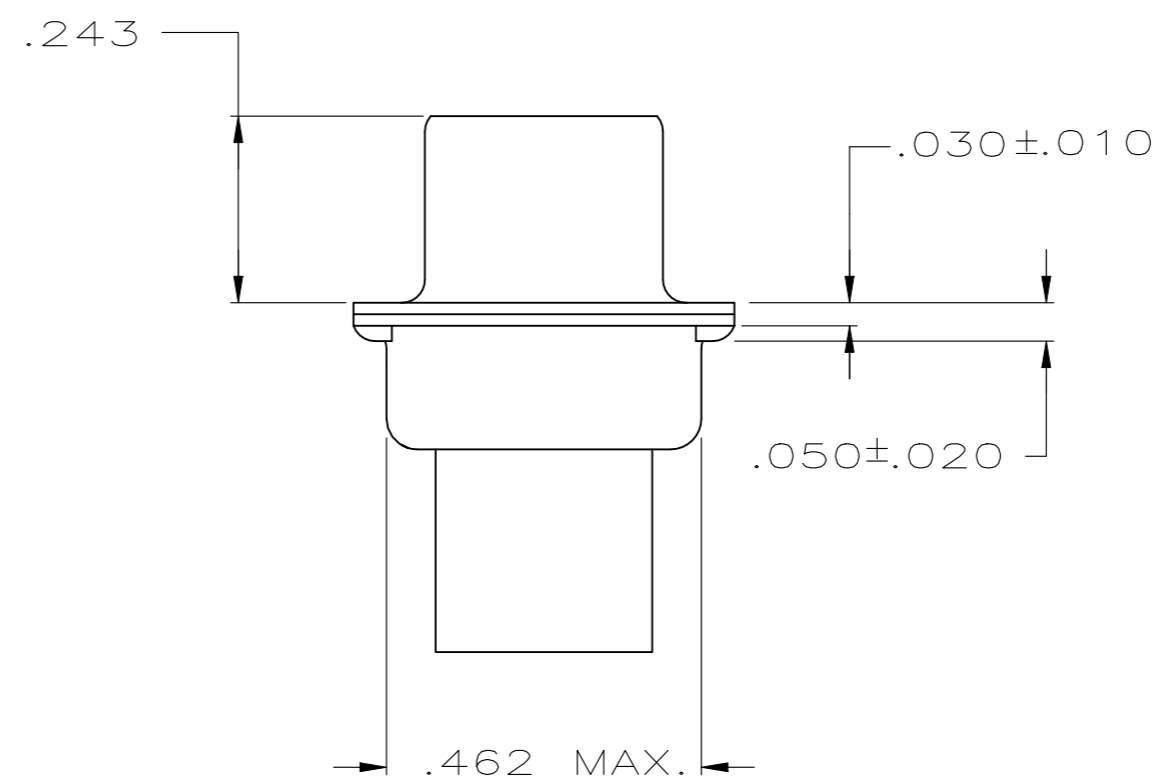
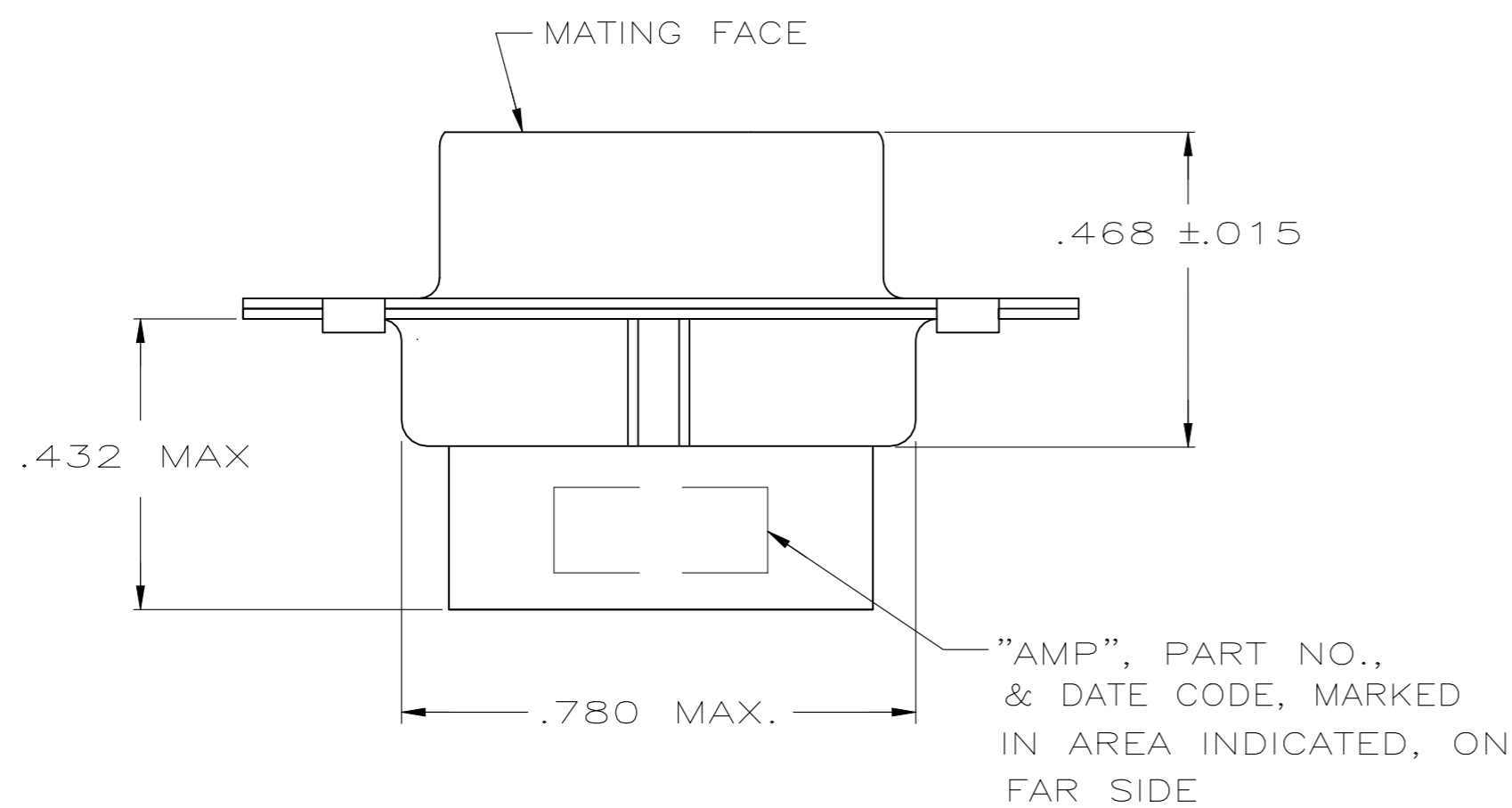


REVISIONS					
P	LTR	DESCRIPTION	DATE	DWN	APVD
A		INITIAL RELEASED	29MAR2023	IT	WH



- 1 CONNECTOR ACCEPTS SIZE 20 DF SOCKET CONTACTS, RETENTION TINES ARE AN INTEGRAL PART OF INSERT.
- 2 CONNECTOR COMPLIES WITH 108-40005 WHERE APPLICABLE.
- 3 MOLDED PARTS: GLASS-FILLED PBT OR GLASS-FILLED NYLON, UL94V-0 RATED. COLOR: BLACK
- 4 SHELLS: STEEL PER ASTM A109.
- 5 ZINC PLATED PER ASTM B633; TYPE II; CLASS SC1; YELLOW CHROMATE.
- 6 TIN PLATED PER MIL-T-10727 OVER COPPER PER MIL-C-14550.



THIS DRAWING IS A CONTROLLED DOCUMENT.		DWN IVAN TIAN 3/29/2023	STANDARD 108-40005		6 SHELL FINISH		747521-2	
DIMENSIONS: INCHES		CHK IVAN TIAN 3/29/2023	PRODUCT SPEC 114-10000		NAME WENKE HE		PART NO	
TOLERANCES UNLESS OTHERWISE SPECIFIED:		APVD WENKE HE 3/29/2023	APPLICATION SPEC		TE Connectivity		RECEPTACLE ASSEMBLY, SIZE 1, 9 POSN, SHIELDING HARDWARE, HDP-20, AMPLIMITE	
MATERIAL		FINISH	WEIGHT 0	SIZE A2	CAGE CODE 00779	DRAWING NO C=747521	RESTRICTED TO	
CUSTOMER DRAWING			SCALE 4:1	SHEET 1 of 1	REV A			