

**PLEASE CHECK WWW.MOLEX.COM FOR LATEST PART INFORMATION**

**Part Number:** [74750-0600](#)  
**Status:** **Active**  
**Overview:** [Quad Small Form-factor Pluggable Plus \(QSFP+\) Interconnect Solution](#)  
**Description:** [Quad Small Form-factor Pluggable Plus \(QSFP+\) EMI Plug Dust Cover](#)

**Documents:**

[Drawing \(PDF\)](#) [RoHS Certificate of Compliance \(PDF\)](#)

**General**

Product Family	I/O Connectors
Series	<a href="#">74750</a>
Application	N/A
Component Type	Plug
Overview	<a href="#">Quad Small Form-factor Pluggable Plus (QSFP+) Interconnect Solution</a>
Product Name	QSFP+
Type	N/A
UPC	884982343450

**Physical**

Circuits (Loaded)	N/A
Durability (mating cycles max)	1
Gender	N/A
Lock to Mating Part	Yes
Material - Metal	N/A
Material - Plating Mating	N/A
Net Weight	2.000/g
Orientation	N/A
Packaging Type	Bag
Panel Mount	N/A
Pitch - Mating Interface	N/A
Polarized to Mating Part	N/A
Termination Interface: Style	N/A

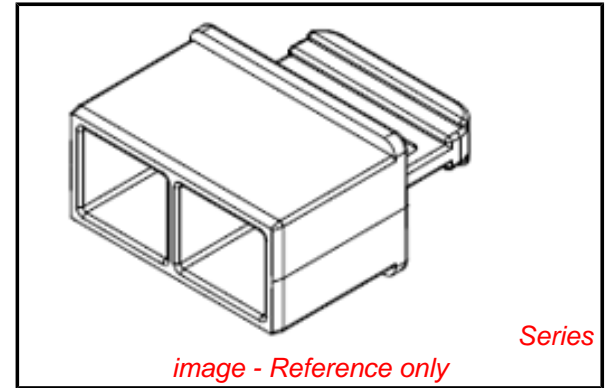
**Electrical**

Current - Maximum per Contact	N/A
Shield Type	N/A

**Material Info**

**Reference - Drawing Numbers**

Sales Drawing	SD-74750-0600
---------------	---------------



**EU RoHS**

**ELV and RoHS Compliant**

**REACH SVHC**

Not Reviewed

**Low-Halogen Status**

Not Reviewed

**China RoHS**



**Need more information on product environmental compliance?**

Email [productcompliance@molex.com](mailto:productcompliance@molex.com)  
 For a multiple part number RoHS Certificate of Compliance, [click here](#)

Please visit the [Contact Us](#) section for any non-product compliance questions.

**Search Parts in this Series**

[74750Series](#)

**Use With**

[74750](#) , [76870](#) QSFP+ Cage Assembly,  
[74736](#) XFP Cage Assembly