

PLEASE CHECK WWW.MOLEX.COM FOR LATEST PART INFORMATION

Part Number: [0747370016](#)
Status: **Active**
Overview: SFP+ and SFP Interconnect Solutions
Description: SFP One Piece Cage, EMI Shielding, 3.05mm Press-Fit Tails, for PCI Applications

Documents:

3D Model	Product Specification PS-74737-8001-001 (PDF)
3D Model (PDF)	Application Specification AS-74737-001 (PDF)
Drawing (PDF)	Packaging Specification PK-74737-0016 (PDF)
Product Specification PS-74737-0010-001 (PDF)	RoHS Certificate of Compliance (PDF)

General

Product Family	EMI Cages
Series	74737
Application	Module-to-Board
Comments	For PCI Applications
Component Type	Cage Assembly
Overview	SFP+ and SFP Interconnect Solutions
Product Name	SFP
UPC	822350183925

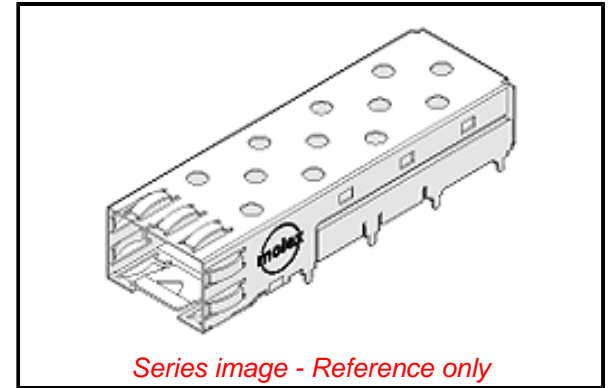
Physical

EMI Panel / Bezel Mount	Spring Fingers
Light Pipes per Port	0
Material - Metal	Copper Alloy
Net Weight	4.540/g
Orientation	Horizontal
Packaging Type	Tray
Port Configuration	1x1
Rear Legs	3
Termination Interface: Style	Through Hole - Compliant Pin
Thermal Height	N/A
Thermal Solutions	Closed Top

Material Info

Reference - Drawing Numbers

Application Specification	AS-74737-001
Packaging Specification	PK-74737-0016
Product Specification	PS-74737-0010-001 , PS-74737-8001-001
Sales Drawing	SD-74737-0016 , SD-74737-0033 , SD-74737-016



EU ELV

Compliant

EU RoHS

Compliant

REACH SVHC

Not Contained Per -
D(2020)4578-DC (25
June 2020)

Halogen-Free

Status

Low-Halogen

For more information, please visit [Contact US](#)

China ROHS

ELV

RoHS Phthalates

China RoHS

Green Image

Compliant

Not Contained

Search Parts in this Series

[74737](#) Series

Mates With

[74720](#) SFP Copper Module, [73929](#) SFP Cable Assembly, Passive, 2 Gbps, [73930](#) SFP Cable Assembly, Active, 2 Gbps, [74742](#) SFP Cable Assembly, Passive, 4 Gbps, [74743](#) SFP Cable Assembly, Active, 4 Gbps

Use With

[74441](#) Connector