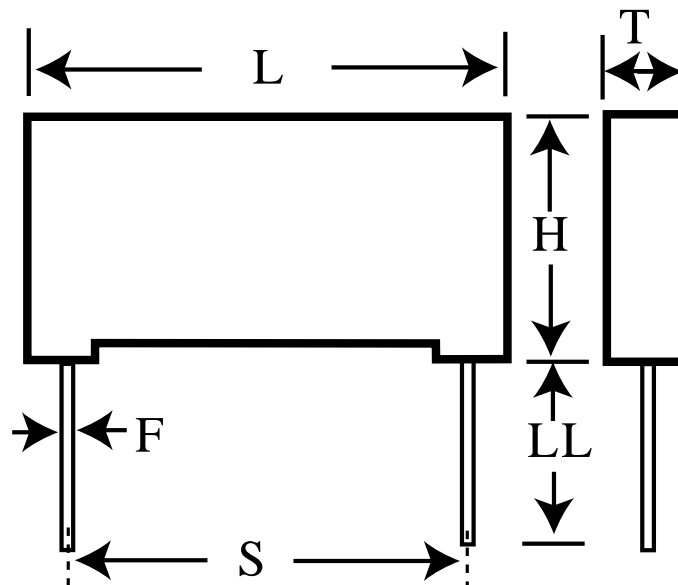


R745I1180AA00J

aka 745I1180AA00J

Capacitor, film, 1800 pF, +/-5% Tol, -55/+105C, General Purpose, 1600V@85C, Lead Spacing=15 mm



Dimensions (mm)

Specifications

ID	Dimension	Tolerance	Manufacturer:	KEMET
L	18	+0.3	Brand:	Arcotronics
H	11	+0.1	Capacitance:	1800 pF
T	5	+0.2	Temperature Range:	-55/+105C
S	15	+/-0.4	Rated Temperature:	85C
LL	4	+2	Voltage @ rated temp:	1600V
F	0.8	+/-0.05	Voltage AC:	500VAC
			Tolerance:	+/-5%
			Body Type:	Radial Box
			Construction:	Wound
			Application:	General Purpose
			Sub Application:	Pulse
			Dissipation Factor @ 1 kHz:	0.01%
			Dissipation Factor @ 10 kHz:	0.02%
			Dissipation Factor @ 100kHz:	0.03%
			Insulation Resistance:	100 GOhm
			Inductance:	10 nH
			Maximum dVdT:	4500v/us
			Maximum K0:	14400000V^2/us
			Package Kind:	Bulk
			Package Type:	Bag
			Package Quantity:	2000