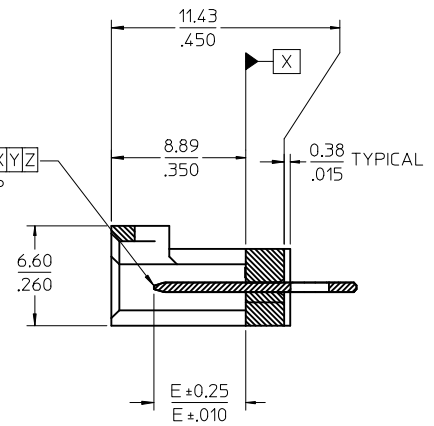
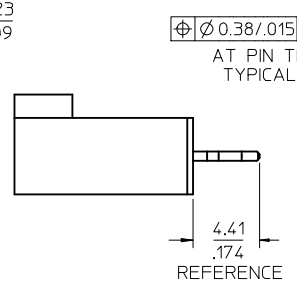
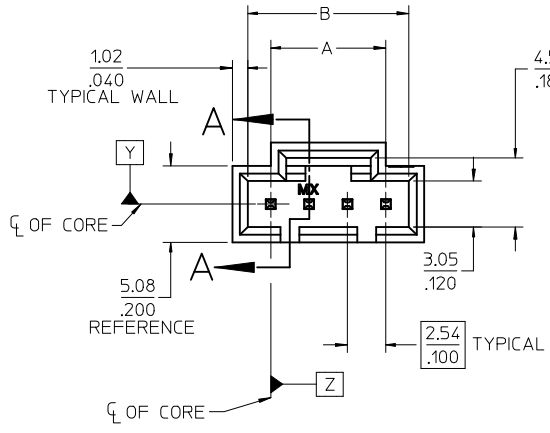


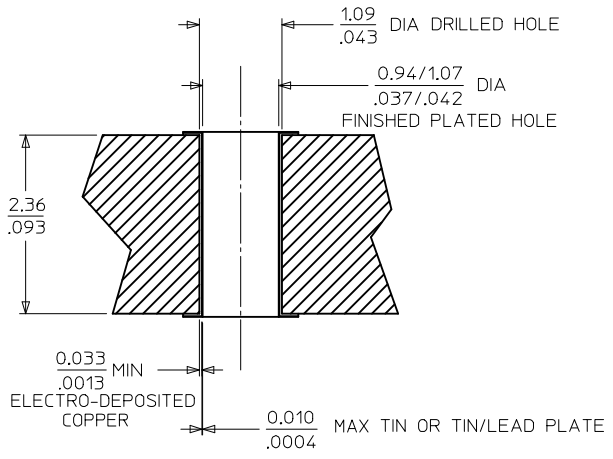
CKT SIZE	DIM A		DIM B	
	MM	IN.	MM	IN.
3	5.08	.200	8.13	.320
4	7.62	.300	10.67	.420
5	10.16	.400	13.21	.520
6	12.70	.500	15.75	.620
7	15.24	.600	18.29	.720
8	17.78	.700	20.83	.820
9	20.32	.800	23.37	.920
10	22.86	.900	25.91	1.020
11	25.40	1.000	28.45	1.120
12	27.94	1.100	30.99	1.220
13	30.48	1.200	33.53	1.320
14	33.02	1.300	36.07	1.420
15	35.56	1.400	38.61	1.520
16	38.10	1.500	41.15	1.620
17	40.64	1.600	43.69	1.720
18	43.18	1.700	46.23	1.820
19	45.72	1.800	48.77	1.920
20	48.26	1.900	51.31	2.020
21	50.80	2.000	53.85	2.120
22	53.34	2.100	56.39	2.220
23	55.88	2.200	58.93	2.320
24	58.42	2.300	61.47	2.420
25	60.96	2.400	64.01	2.520

0.64/.025 SQUARE COMPLIANT PIN

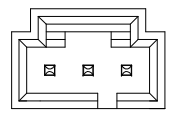
RECOMMENDED PC BOARD LAYOUT FOR USE WITH 2.36/.093 THICK BOARD



SECTION A-A



SECTION B-B SCALE: 20/1



3 CIRCUIT

- NOTES:  
 1. MATERIAL:  
 HOUSING: GLASS FILLED POLYESTER, UL94V-0, COLOR - BLACK.  
 PINS: COPPER ALLOY.  
 2. FINISH:

- 30 GOLD & TIN/LEAD: 0.76 MICROMETERS/30 MICROINCHES MINIMUM SELECT GOLD  
 2.54 MICROMETERS/ 100 MICROINCHES MINIMUM SELECT TIN/LEAD  
 OVER NICKEL UNDERPLATE OVERALL  
 30 GOLD & TIN: 0.76 MICROMETERS/30 MICROINCHES MINIMUM SELECT GOLD  
 2.54 MICROMETERS/ 100 MICROINCHES MINIMUM SELECT TIN  
 OVER NICKEL UNDERPLATE OVERALL  
 15 GOLD & TIN/LEAD: 0.38 MICROMETERS/15 MICROINCHES MINIMUM SELECT GOLD  
 2.54 MICROMETERS/ 100 MICROINCHES MINIMUM SELECT TIN/LEAD  
 OVER NICKEL UNDERPLATE OVERALL  
 15 GOLD & TIN: 0.38 MICROMETERS/15 MICROINCHES MINIMUM SELECT GOLD  
 2.54 MICROMETERS/ 100 MICROINCHES MINIMUM SELECT TIN  
 OVER NICKEL UNDERPLATE OVERALL  
 TIN: 5.08 MICROMETERS/200 MICROINCHES MINIMUM TIN  
 OVER NICKEL UNDERPLATE OVERALL

3. PRODUCT SPECIFICATION: PS-74095-001  
 4. PACKAGING SPECIFICATION: PK-70873-0014  
 5. NO FEATURES WHICH RISE ABOVE THE PCB SURFACE ALLOWED IN THIS AREA  
 6. THIS PART CONFORMS TO MOLEX COSMETIC SPECIFICATION: PS-45992-002 CLASS C

ADD LEAD FREE OPT EC NO: UCP2013-0936 DRAWN: TIBARRA 2012/09/05 CHKD: DMORGAN 2012/09/07 APPR: MILLER 2012/09/28	DESCRIPTION REV	QUALITY SYMBOLS	GENERAL TOLERANCES (UNLESS SPECIFIED)		DIMENSION STYLE	SCALE	DESIGN UNITS	THIRD ANGLE PROJECTION		
		▽=0	mm	INCH	MM/IN	4:1	INCH			
		▽=0	4 PLACES ± ---	± ---	DRAWN BY	DATE	SALES ASSY, SL VERTICAL HEADER W/COMPLIANT PIN NO PEGS			
		▽=0	3 PLACES ± ---	± .005	MIBARRA	2008/07/18	MOLEX INCORPORATED			
		2 PLACES ± 0.13	± .010	CHECKED BY	DATE	DOCUMENT NO.				
		1 PLACE ± 0.25	± ---	DMORGAN	2008/07/18	SD-74095-001				
		ANGULAR ±1/2°		APPROVED BY	DATE	SHEET NO.				
		DRAFT WHERE APPLICABLE MUST REMAIN WITHIN DIMENSIONS		SMILLER	2010/12/01	1 OF 2				
		MATERIAL NO.		SEE TABLE		THIS DRAWING CONTAINS INFORMATION THAT IS PROPRIETARY TO MOLEX INCORPORATED AND SHOULD NOT BE USED WITHOUT WRITTEN PERMISSION				

CIRCUIT SIZE	ITEM NUMBER 74095	DIM E	PLATING SEE NOTE 6	MATING END PLATING	PC BOARD END PLATING
				TYPE	TYPE
4-5	-0004-0005	7.49 .295	TIN	TIN	TIN
4	-0034	7.49 .295	15 GOLD	GOLD	TIN/LEAD
4	-0064	7.49 .295	30 GOLD	GOLD	TIN/LEAD
16,20,25	-0016,-0020 -0025	7.49 .295	TIN	TIN	TIN
16,20,25	-0046,-0050 -0055	7.49 .295	15 GOLD	GOLD	TIN/LEAD
16,20,25	-0076,-0080 -0085	7.49 .295	30 GOLD	GOLD	TIN/LEAD
16,20,25	-1046,-1050 -1055	7.49 .295	15 GOLD	GOLD	TIN
16,20,25	-1076,-1080 -1085	7.49 .295	30 GOLD	GOLD	TIN
4-5	1034-1035	7.49 .295	15 GOLD	GOLD	TIN
4-5	-1064-1065	7.49 .295	30 GOLD	GOLD	TIN

CIRCUIT SIZE	ASSEMBLY ITEM NUMBER	ASSEMBLY ITEM NUMBER	ASSEMBLY ITEM NUMBER	ASSEMBLY ITEM NUMBER	ASSEMBLY ITEM NUMBER	ASSEMBLY ITEM NUMBER
3						
4	74095-0004	74095-0034	74095-0064	74095-1034	74095-1064	
5	74095-0005			74095-1035	74095-1065	
6						
7						
8						
9						
10						
11						
12						
13						
14						
15						
16	74095-0016	74095-0046	74095-0076	74095-1046	74095-1076	
17						
18						
19						
20	74095-0020	74095-0050	74095-0080	74095-1050	74095-1080	
21						
22						
23						
24						
25	74095-0025	74095-0055	74095-0085	74095-1055	74095-1085	

<b>SEE SHEET 1</b> EC NO: UCP2013-0936 DRW: MIBARRA 2012/09/05 CHK: DMORGAN 2012/09/07 APPR: SMILLER 2012/09/28	QUALITY SYMBOLS 	GENERAL TOLERANCES (UNLESS SPECIFIED)		DIMENSION STYLE <b>MM/IN</b>		SCALE <b>1:1</b>	DESIGN UNITS <b>INCH</b>	THIRD ANGLE PROJECTION			
		4 PLACES ± --- ± ---	3 PLACES ± --- ± .005	2 PLACES ± 0.13 ± .010	1 PLACE ± 0.25 ± ---	DRAWN BY MIBARRA	DATE 2008/07/18	TITLE <b>SALES ASSY, SL VERTICAL HEADER W/COMPLIANT PIN NO PEGS</b>			
		ANGULAR ±1/2°				CHECKED BY DMORGAN	DATE 2008/07/18	APPROVED BY SMILLER			
		DRAFT WHERE APPLICABLE MUST REMAIN WITHIN DIMENSIONS				MATERIAL NO. <b>SEE TABLE</b>	DATE 2010/12/01	<b>MOLEX INCORPORATED</b>		DOCUMENT NO. <b>SD-74095-001</b>	SHEET NO. <b>2 OF 2</b>

THIS DRAWING CONTAINS INFORMATION THAT IS PROPRIETARY TO MOLEX INCORPORATED AND SHOULD NOT BE USED WITHOUT WRITTEN PERMISSION