

PLEASE CHECK WWW.MOLEX.COM FOR LATEST PART INFORMATION

Part Number: [74062-1001](#)

Status: **Active**

Overview: [VHDM® Backplane Connector Systems](#)

Description: 2.00mm Pitch VHDM® Single-Ended Board-to-Board Backplane Header, Vertical, 8-Row, Guide Pin Signal Module, Shield End Version, 80 Circuits, Pin Length 4.75mm. Series:74075 Enables designers to create custom loaded connectors utilizing standard pin lengths 4.25, 4.75, 5.15 and 6.25mm

Documents:

[3D Model](#)

[Drawing \(PDF\)](#)

[Product Specification PS-74031-999 \(PDF\)](#)

[RoHS Certificate of Compliance \(PDF\)](#)

Agency Certification

UL E29179

General

Product Family	Backplane Connectors
Series	74062
Application	Backplane
Application Tooling Documents	TM-622010999
Comments	No Keying Position
Component Type	PCB Header
Overview	VHDM® Backplane Connector Systems
Product Name	VHDM®
Style	N/A
UPC	800754782203

Physical

Circuits (Loaded)	80
Circuits (maximum)	80
Color - Resin	Black
Durability (mating cycles max)	200
First Mate / Last Break	No
Flammability	94V-0
Guide to Mating Part	Yes
Keying to Mating Part	None
Material - Metal	Beryllium Copper, High Performance Alloy (HPA), Stainless Steel
Material - Plating Mating	Gold
Material - Plating Termination	Tin-Lead
Material - Resin	High Temperature Thermoplastic
Net Weight	8.242/g
Number of Columns	10
Number of Pairs	Open Pin Field
Number of Rows	8
Orientation	Vertical
PC Tail Length	2.50mm
PCB Locator	No
PCB Retention	None
PCB Thickness - Recommended	1.80mm
Packaging Type	Tube
Pitch - Mating Interface	2.00mm
Pitch - Termination Interface	1.00mm
Plating min - Mating	0.762µm
Plating min - Termination	0.762µm
Polarized to PCB	Yes

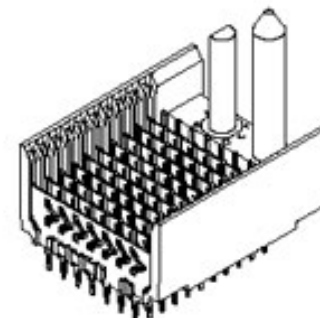


image - Reference only

Series

EU RoHS

ELV and RoHS Compliant

REACH SVHC

Not Reviewed

Low-Halogen Status

Low-Halogen

China RoHS



Need more information on product environmental compliance?

Email productcompliance@molex.com
For a multiple part number RoHS Certificate of Compliance, [click here](#)

Please visit the [Contact Us](#) section for any non-product compliance questions.

Search Parts in this Series

[74062Series](#)

Mates With

74040 VHDM® Board-to-Board Daughtercard Receptacle

Application Tooling | FAQ

Tooling specifications and manuals are found by selecting the products below. Crimp Height Specifications are then contained in the Application Tooling Specification document.

Global

Description	Product #
8-Row Pin and Shield Repair Tool	0622015900
Flat Rock Tooling for Pneumatic Press	0622013700
Signal Pin Inserter Repair Tool	0622015700
8-Row Shield Extraction Tool	0622016100
Insertion Module for Advanced Mate	0622020205

Surface Mount Compatible (SMC) Yes
Temperature Range - Operating -55°C to +105°C
Termination Interface: Style Through Hole - Compliant Pin

Electrical

Current - Maximum per Contact 3A
Data Rate 3.125 Gbps
Shield Type Ground Plane Shield
Shielded Yes
Voltage - Maximum 120V AC (RMS)/DC

Material Info

Reference - Drawing Numbers

Product Specification PS-74031-999
Sales Drawing SD-74062-002

VHDM and Very High Density Metric are trademarks of Amphenol Corporation

Signal Header, 8-
Row by 10-Wide,
20.00mm
Insertion Module 0622020209
for Standard Shield
Signal Header, 8-
Row by 10-Wide,
20.00mm

This document was generated on 01/23/2013

PLEASE CHECK WWW.MOLEX.COM FOR LATEST PART INFORMATION