

PLEASE CHECK WWW.MOLEX.COM FOR LATEST PART INFORMATION

Part Number: [0740599002](#)
Status: **Active**
Description: VHDM BP 6R SHLD END ASSY 10 COL Pb FREE

Documents:

Drawing (PDF)	Packaging Specification PK-74058-003-001 (PDF)
Product Specification PS-74031-999-001 (PDF)	RoHS Certificate of Compliance (PDF)

Agency Certification

UL	E29179
----	--------

General

Product Family	Backplane Connectors
Series	74059
UPC	822350243582

Physical

Flammability	94V-0
Net Weight	7.156/g

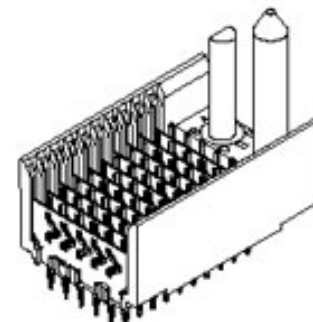
Solder Process Data

Lead-free Process Capability	N/A
------------------------------	-----

Material Info

Reference - Drawing Numbers

Packaging Specification	PK-74058-003-001
Product Specification	PS-74031-999-001
Sales Drawing	SD-74059-002



Series image - Reference only

EU ELV

Not Relevant

EU RoHS

Compliant

REACH SVHC

Not Contained Per -
D(2020)4578-DC (25
June 2020)

Halogen-Free

Status

Low-Halogen

For more information, please visit [Contact US](#)

China ROHS

ELV

RoHS Phthalates

China RoHS

Green Image

Not Relevant

Not Contained

Search Parts in this Series

[74059 Series](#)

Application Tooling | [FAQ](#)

Tooling specifications and manuals are found by selecting the products below. Crimp Height Specifications are then contained in the Application Tooling Specification document.

Global

Description	Product #
Insertion Module for Advanced Mate Signal Header, 6-Row by 11-Wide, 20.00mm	622011101
Signal Pin Inserter Repair Tool	622015700
6-Row Pin and Shield Repair Tool	622015800
6-Row Shield Extraction Tool	622016000
Insertion Module for Advanced Mate Signal Header, 6-	622020203

Row by 10-Wide,
20.00mm
Insertion Module 622020207
for Advanced Mate
Signal Header, 6-
Row by 10-Wide,
20.00mm

This document was generated on 10/27/2020

PLEASE CHECK WWW.MOLEX.COM FOR LATEST PART INFORMATION