

PLEASE CHECK WWW.MOLEX.COM FOR LATEST PART INFORMATION

Part Number: [74059-2501](#)

Status: **Active**

Overview: [VHDM® Backplane Connector Systems](#)

Description: 2.00mm Pitch VHDM® Single-Ended Board-to-Board Backplane Header, Vertical, 6-Row, Guide Pin Signal Module, Shield End Version, 150 Circuits, Pin Length 4.75mm. Series:74074 Enables designers to create custom loaded connectors utilizing standard pin lengths 4.25, 4.75, 5.15 and 6.25mm

Documents:

[3D Model](#)

[Drawing \(PDF\)](#)

[Product Specification PS-74031-999 \(PDF\)](#)

[RoHS Certificate of Compliance \(PDF\)](#)

General

Product Family	Backplane Connectors
Series	74059
Application	Backplane
Application Tooling Documents	TM-622010999
Comments	No Keying Position
Component Type	PCB Header
Overview	VHDM® Backplane Connector Systems
Product Name	VHDM®
Style	N/A
UPC	800754780797

Physical

Circuits (Loaded)	150
Circuits (maximum)	150
Color - Resin	Black
Durability (mating cycles max)	200
First Mate / Last Break	No
Guide to Mating Part	Yes
Keying to Mating Part	None
Material - Metal	Beryllium Copper, High Performance Alloy (HPA), Stainless Steel
Material - Plating Mating	Gold
Material - Plating Termination	Tin-Lead
Material - Resin	High Temperature Thermoplastic
Net Weight	13.515/g
Number of Columns	25
Number of Pairs	Open Pin Field
Number of Rows	6
Orientation	Vertical
PC Tail Length	2.50mm
PCB Locator	No
PCB Retention	None
PCB Thickness - Recommended	1.80mm
Packaging Type	Tube
Pitch - Mating Interface	2.00mm
Pitch - Termination Interface	1.00mm
Plating min - Mating	0.762µm
Plating min - Termination	0.762µm
Polarized to PCB	Yes
Surface Mount Compatible (SMC)	Yes
Temperature Range - Operating	-55°C to +105°C
Termination Interface: Style	Through Hole - Compliant Pin

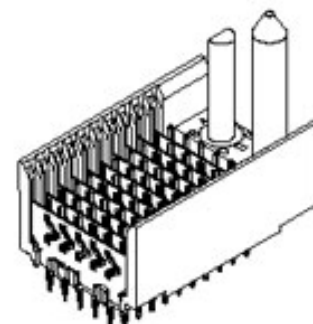


image - Reference only

Series

EU RoHS

**ELV and RoHS
Compliant**

REACH SVHC

Not Reviewed

Low-Halogen Status

Low-Halogen

China RoHS



**Need more information on product
environmental compliance?**

Email productcompliance@molex.com
For a multiple part number RoHS Certificate of
Compliance, [click here](#)

Please visit the [Contact Us](#) section for any
non-product compliance questions.

Search Parts in this Series

[74059Series](#)

Mates With

74030 VHDM® Board-to-Board
Daughtercard Receptacle

Application Tooling | FAQ

*Tooling specifications and manuals are
found by selecting the products below.
Crimp Height Specifications are then
contained in the Application Tooling
Specification document.*

Global

Description	Product #
Flat Rock Tooling for Pneumatic Press	0622013700
Signal Pin Inserter	0622015700
Repair Tool	
6-Row Pin and Shield Repair Tool	0622015800
6-Row Shield Extraction Tool	0622016000
Insertion Module for Advanced Mate	0622020204

Electrical

Current - Maximum per Contact	2A
Data Rate	3.125 Gbps
Shield Type	Ground Plane Shield
Shielded	Yes
Voltage - Maximum	120V AC (RMS)/DC

Material Info**Reference - Drawing Numbers**

Product Specification	PS-74031-999
Sales Drawing	SD-74059-002

VHDM and Very High Density Metric are trademarks of Amphenol Corporation

Signal Header, 6- Row by 25-Wide, 50.00mm Insertion Module <u>0622020208</u> for Standard Shield Signal Header, 6- Row by 25-Wide, 50.00mm

This document was generated on 01/23/2013

PLEASE CHECK WWW.MOLEX.COM FOR LATEST PART INFORMATION