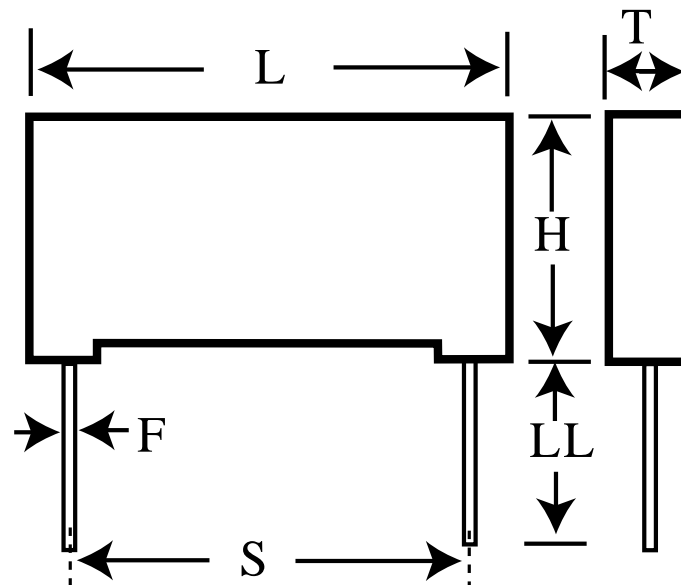


R73UI1100SE00H

aka 73UI1100SE00H

Capacitor, film, 1000 pF, +/-2.5% Tol, -55/+105C, Pulse, 2000V@85C,
Lead Spacing=15 mm



Dimensions (mm)

Specifications

ID	Dimension	Tolerance	Manufacturer:	KEMET
L	18	+0.3	Brand:	Arcotronics
H	12	+0.1	Capacitance:	1000 pF
T	6	+0.2	Temperature Range:	-55/+105C
S	15	+/-0.4	Rated Temperature:	85C
LL	4	+2	Voltage @ rated temp:	2000V
F	0.8	+/-0.05	Voltage AC:	500VAC
			Tolerance:	+/-2.5%
			Body Type:	Radial Box
			Construction:	Wound
			Application:	Pulse
			Dielectric:	Film-Foil Polypropylene
			Dissipation Factor @ 1 kHz:	0.03%
			Dissipation Factor @ 10 kHz:	0.04%
			Dissipation Factor @ 100kHz:	0.1%
			Insulation Resistance:	100 GOhm
			Inductance:	10 nH
			Maximum dVdT:	54000v/us
			Maximum K0:	216000000V^2/us
			Package Kind:	Bulk
			Package Type:	Bag
			Package Quantity:	1750