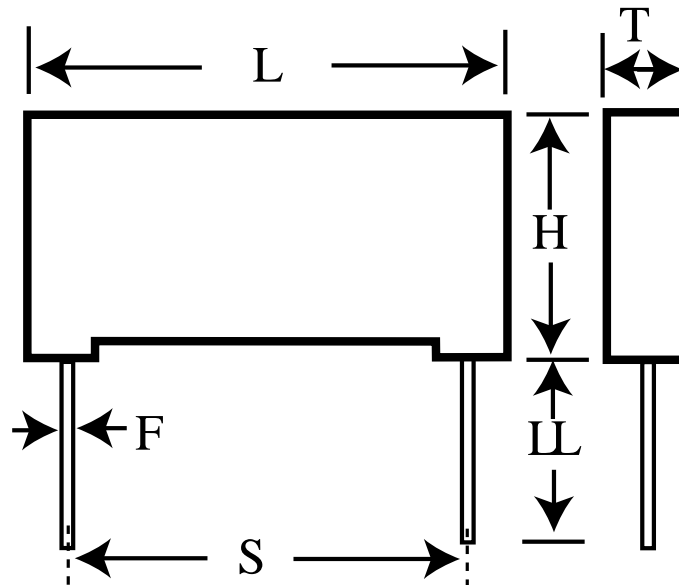


# R73TW2680SE00K

aka 73TW2680SE00K

Capacitor, film, 0.068 uF, +/-10% Tol, -55/+105C, General Purpose, 1600V@85C, Lead Spacing=37.5 mm



## Dimensions (mm)

ID	Dimension	Tolerance
L	41.5	+0.3
H	22	+0.1
T	11	+0.3
S	37.5	+/-0.4
LL	4	+2
F	1	+/-0.05

## Specifications

<b>Manufacturer:</b>	KEMET
<b>Brand:</b>	Arcotronics
<b>Capacitance:</b>	0.068 uF
<b>Temperature Range:</b>	-55/+105C
<b>Rated Temperature:</b>	85C
<b>Voltage @ rated temp:</b>	1600V
<b>Voltage AC:</b>	450VAC
<b>Tolerance:</b>	+/-10%
<b>Body Type:</b>	Radial Box
<b>Construction:</b>	Wound
<b>Application:</b>	General Purpose
<b>Sub Application:</b>	Pulse
<b>Dissipation Factor @ 1 kHz:</b>	0.03%
<b>Dissipation Factor @ 10 kHz:</b>	0.04%
<b>Dissipation Factor @ 100kHz:</b>	0.1%
<b>Insulation Resistance:</b>	100 GOhm
<b>Inductance:</b>	22 nH
<b>Maximum dVdT:</b>	6500v/us
<b>Maximum K0:</b>	2100000V^2/us
<b>Package Kind:</b>	Bulk
<b>Package Type:</b>	Bag
<b>Package Quantity:</b>	216