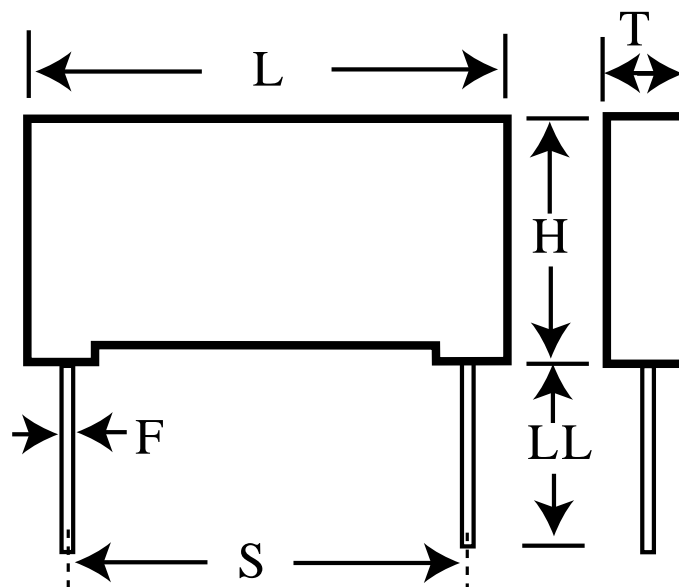


R73TN2150CK00J

aka 73TN2150CK00J

Capacitor, film, 0.015 uF, +/-5% Tol, -55/+105C, General Purpose, 1600V@85C, Lead Spacing=22.5 mm



Dimensions (mm)

Specifications

| ID | Dimension | Tolerance | Manufacturer: | KEMET |
|----|-----------|-----------|------------------------------|-----------------|
| L | 26.5 | +0.3 | Brand: | Arcotronics |
| H | 17 | +0.1 | Capacitance: | 0.015 uF |
| T | 8.5 | +0.2 | Temperature Range: | -55/+105C |
| S | 22.5 | +/-0.4 | Rated Temperature: | 85C |
| LL | 18.5 | +/-0.5 | Voltage @ rated temp: | 1600V |
| F | 0.8 | +/-0.05 | Voltage AC: | 450VAC |
| | | | Tolerance: | +/-5% |
| | | | Body Type: | Radial Box |
| | | | Construction: | Wound |
| | | | Application: | General Purpose |
| | | | Sub Application: | Pulse |
| | | | Dissipation Factor @ 1 kHz: | 0.03% |
| | | | Dissipation Factor @ 10 kHz: | 0.04% |
| | | | Dissipation Factor @ 100kHz: | 0.1% |
| | | | Insulation Resistance: | 100 GOhm |
| | | | Inductance: | 18 nH |
| | | | Maximum dVdT: | 11000v/us |
| | | | Maximum K0: | 3500000V^2/us |
| | | | Package Kind: | T&R |
| | | | Package Size: | 500mm |
| | | | Package Quantity: | 450 |