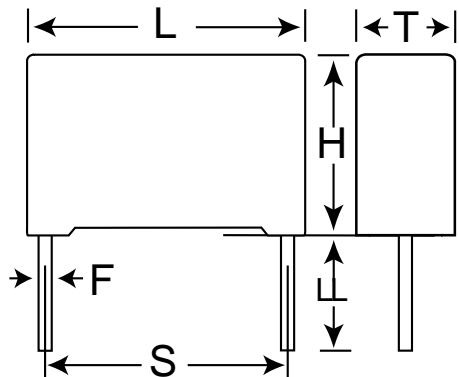


**KEMET Part Number: R73TN1680CK00K**  
(73TN1680CK00K)

Capacitor, film, 6800 pF, +/-10% Tol, -55/+105C, General Purpose, 1600V@85C, Lead Spacing=22.5 mm



| Dimensions (mm) |           |           |
|-----------------|-----------|-----------|
| Symbol          | Dimension | Tolerance |
| L               | 26.5      | +0.3      |
| H               | 15        | +0.1      |
| T               | 6         | +0.2      |
| S               | 22.5      | +/-0.4    |
| LL              | 18.5      | +/-0.5    |
| F               | 0.8       | Nom       |

| Packaging Specifications |       |
|--------------------------|-------|
| Package Kind:            | T&R   |
| Package Size:            | 500mm |
| Package Quantity:        | 700   |

| General Information |       |
|---------------------|-------|
| Manufacturer:       | KEMET |

| Electrical Specifications    |                            |
|------------------------------|----------------------------|
| Capacitance:                 | 6800 pF                    |
| Rated Temperature:           | 85C                        |
| Voltage @ rated temp:        | 1600V                      |
| Voltage AC:                  | 450VAC                     |
| Tolerance:                   | +/-10%                     |
| Body Type:                   | Radial Box                 |
| Construction:                | Wound                      |
| Application:                 | General Purpose            |
| Sub Application:             | Pulse                      |
| Temperature Range:           | -55/+105C                  |
| Dissipation Factor @ 1 kHz:  | 0.03%                      |
| Dissipation Factor @ 10 kHz: | 0.04%                      |
| Dissipation Factor @ 100kHz: | 0.1%                       |
| Insulation Resistance:       | 100 GOhm                   |
| Inductance:                  | 18 nH                      |
| Maximum dVdT:                | 11000v/us                  |
| Maximum K0:                  | 35000000V <sup>2</sup> /us |