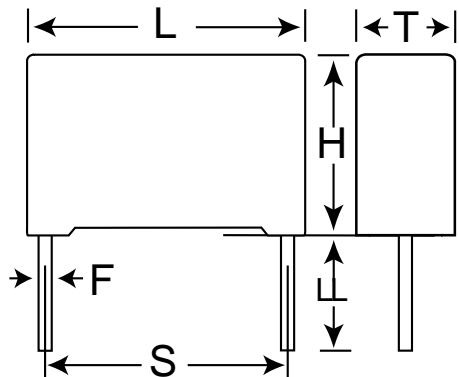


KEMET Part Number: R73TI1120GY00K
(73TI1120GY00K)

Capacitor, film, 1200 pF, +/-10% Tol, -55/+105C, General Purpose, 1600V@85C, Lead Spacing=15 mm



Dimensions (mm)		
Symbol	Dimension	Tolerance
L	18	+0.3
H	11	+0.1
T	5	+0.2
S	15	+/-0.4
LL	18.5	+/-0.5
F	0.8	Nom

Packaging Specifications	
Package Kind:	T&R
Package Size:	355mm
Package Quantity:	600

General Information	
Manufacturer:	KEMET

Electrical Specifications	
Capacitance:	1200 pF
Rated Temperature:	85C
Voltage @ rated temp:	1600V
Voltage AC:	450VAC
Tolerance:	+/-10%
Body Type:	Radial Box
Construction:	Wound
Application:	General Purpose
Sub Application:	Pulse
Temperature Range:	-55/+105C
Dissipation Factor @ 1 kHz:	0.03%
Dissipation Factor @ 10 kHz:	0.04%
Dissipation Factor @ 100kHz:	0.1%
Insulation Resistance:	100 GOhm
Inductance:	10 nH
Maximum dVdT:	34000v/us
Maximum K0:	109000000V^2/us