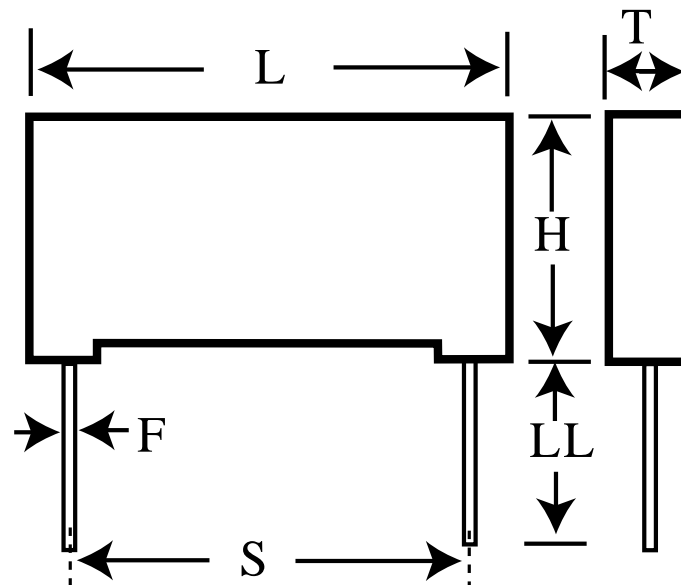


# R73RI12204000K

aka 73RI12204000K

Capacitor, film, 2200 pF, +/-10% Tol, -55/+105C, General Purpose, 1250V@85C, Lead Spacing=15 mm



## Dimensions (mm)

## Specifications

ID	Dimension	Tolerance	Manufacturer:	KEMET
L	18	+0.3	Brand:	Arcotronics
H	11	+0.1	Capacitance:	2200 pF
T	5	+0.2	Temperature Range:	-55/+105C
S	15	+/-0.4	Rated Temperature:	85C
LL	30	+5	Voltage @ rated temp:	1250V
F	0.8	+/-0.05	Voltage AC:	450VAC
			Tolerance:	+/-10%
			Body Type:	Radial Box
			Construction:	Wound
			Application:	General Purpose
			Sub Application:	Pulse
			Dissipation Factor @ 1 kHz:	0.03%
			Dissipation Factor @ 10 kHz:	0.04%
			Dissipation Factor @ 100kHz:	0.1%
			Insulation Resistance:	100 GOhm
			Inductance:	10 nH
			Maximum dVdT:	30000v/us
			Maximum K0:	7500000V^2/us
			Package Kind:	Bulk
			Package Type:	Bag
			Package Quantity:	1000