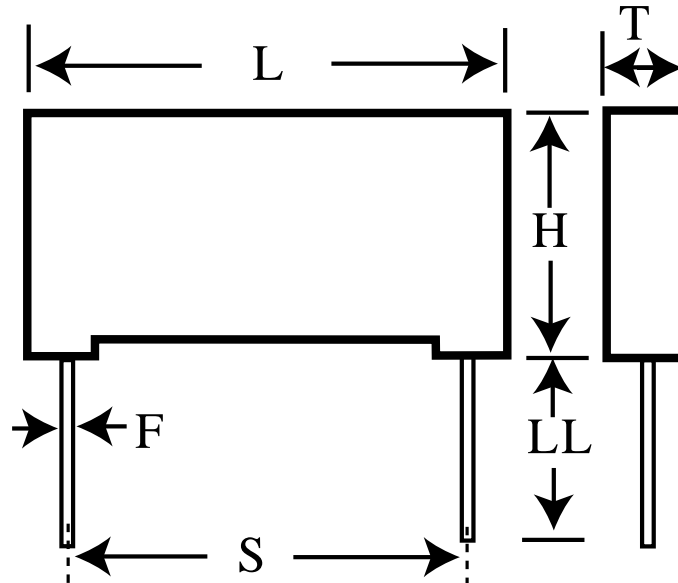


R73QR3100SE30J

aka 73QR3100SE30J

Capacitor, film, 0.1 uF, +/-5% Tol, -55/+105C, Pulse, 1000V@85C,
Lead Spacing=27.5 mm



Dimensions (mm)

ID	Dimension	Tolerance
L	32	+0.3
H	20	+0.1
T	11	+0.2
S	27.5	+/-0.4
LL	4	+2
F	0.8	+/-0.05

Specifications

Manufacturer:	KEMET
Brand:	Arcotronics
Capacitance:	0.1 uF
Temperature Range:	-55/+105C
Rated Temperature:	85C
Voltage @ rated temp:	1000V
Voltage AC:	400VAC
Tolerance:	+/-5%
Body Type:	Radial Box
Construction:	Non-inductive
Application:	Pulse
Dielectric:	Film-Foil Polypropylene
Dissipation Factor @ 1 kHz:	0.03%
Dissipation Factor @ 10 kHz:	0.06%
Dissipation Factor @ 100kHz:	0.1%
Insulation Resistance:	100 GOhm
Inductance:	18 nH
Maximum dVdT:	11000v/us
Maximum K0:	22000000V^2/us
Package Kind:	Bulk
Package Type:	Bag
Package Quantity:	560