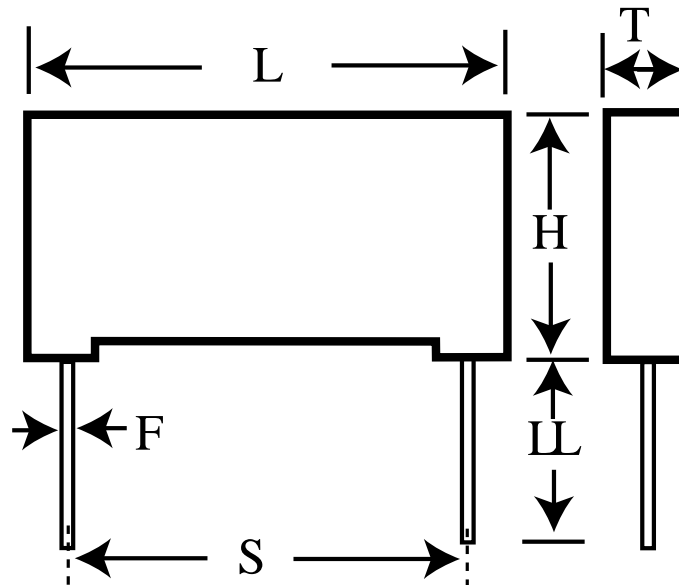


R73QI13305030K

aka 73QI13305030K

Capacitor, film, 3300 pF, +/-10% Tol, -55/+105C, General Purpose, 1000V@85C, Lead Spacing=15 mm



Dimensions (mm)

ID	Dimension	Tolerance
L	18	+0.3
H	11	+0.1
T	5	+0.2
S	15	+/-0.4
LL	25	+2/-1
F	0.8	+/-0.05

Specifications

Manufacturer:	KEMET
Brand:	Arcotronics
Capacitance:	3300 pF
Temperature Range:	-55/+105C
Rated Temperature:	85C
Voltage @ rated temp:	1000V
Voltage AC:	400VAC
Tolerance:	+/-10%
Body Type:	Radial Box
Construction:	Wound
Application:	General Purpose
Sub Application:	Pulse
Dissipation Factor @ 1 kHz:	0.03%
Dissipation Factor @ 10 kHz:	0.04%
Dissipation Factor @ 100kHz:	0.1%
Insulation Resistance:	100 GOhm
Inductance:	10 nH
Maximum dVdT:	28000v/us
Maximum K0:	5600000V^2/us
Package Kind:	Bulk
Package Type:	Bag
Package Quantity:	1000