

**PLEASE CHECK WWW.MOLEX.COM FOR LATEST PART INFORMATION**

**Part Number:** [73644-3207](#)  
**Status:** **Active**  
**Overview:** HDM®  
**Description:** 2.00mm Pitch HDM® Board-to-Board Backplane Header, Vertical, SMC, Press-Fit, Guide Post Location A, Polarizing Key Position D, 144 Circuits

**Documents:**

[3D Model](#) [RoHS Certificate of Compliance \(PDF\)](#)  
[Drawing \(PDF\)](#)

**Agency Certification**

CSA LR19980  
 UL E29179

**General**

Product Family Backplane Connectors  
 Series [73644](#)  
 Application Backplane  
 Comments Standard Press-Fit, Tin/Lead (SnPb)  
 Component Type PCB Header  
 Overview [HDM®](#)  
 Product Name HDM®  
 Style N/A  
 UPC 800754833455

**Physical**

Circuits (Loaded) 144  
 Circuits (maximum) 144  
 Color - Resin Black, Natural  
 Durability (mating cycles max) 250  
 First Mate / Last Break No  
 Flammability 94V-0  
 Guide to Mating Part Yes  
 Keying to Mating Part Yes  
 Material - Metal Phosphor Bronze, Stainless Steel  
 Material - Plating Mating Gold  
 Material - Plating Termination Tin  
 Material - Resin High Temperature Thermoplastic  
 Net Weight 9.729/g  
 Number of Columns 24  
 Number of Pairs Open Pin Field  
 Number of Rows 6  
 Orientation Vertical  
 PC Tail Length 3.50mm  
 PCB Locator No  
 PCB Retention Yes  
 PCB Thickness - Recommended 2.50mm  
 Packaging Type Tube  
 Pitch - Mating Interface 2.00mm  
 Pitch - Termination Interface 2.00mm  
 Plating min - Mating 0.762µm  
 Plating min - Termination 0.381µm  
 Polarized to PCB No  
 Stackable No  
 Surface Mount Compatible (SMC) Yes  
 Temperature Range - Operating -55°C to +105°C

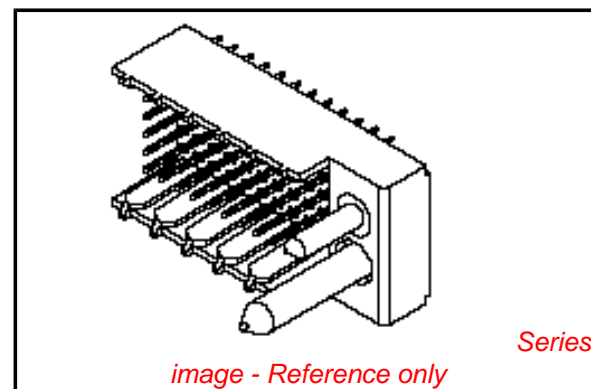


image - Reference only

**EU RoHS**

**ELV and RoHS Compliant**  
**REACH SVHC Contains SVHC: No**  
**Low-Halogen Status Low-Halogen**

**China RoHS**



**Need more information on product environmental compliance?**

Email [productcompliance@molex.com](mailto:productcompliance@molex.com)  
 For a multiple part number RoHS Certificate of Compliance, [click here](#)

Please visit the [Contact Us](#) section for any non-product compliance questions.

**Search Parts in this Series**

[73644Series](#)

**Mates With**

73632 HDM PLUS® Board-to-Board Daughtercard Receptacle. 73780 HDM® Board-to-Board Daughtercard Receptacle

**Application Tooling | FAQ**

*Tooling specifications and manuals are found by selecting the products below. Crimp Height Specifications are then contained in the Application Tooling Specification document.*

**Global**

Description	Product #
Extraction Tool	<a href="#">0621001000</a>
Backplane Insertion	<a href="#">0621001400</a>
Signal Contact Tool	
Backplane Insertion	<a href="#">0622005703</a>
Head for 144 Circuits	
Flat Rock Tooling for	<a href="#">0622013700</a>
Pneumatic Press	

Termination Interface: Style

Through Hole - Compliant Pin

**Electrical**

Current - Maximum per Contact

1A

Data Rate

1.0 Gbps

Real Signals (per 25mm)

75

Shielded

No

Voltage - Maximum

250V AC

**Material Info**

**Reference - Drawing Numbers**

Sales Drawing

SDA-73644-\*\*\*\*

HDM and High Density Metric are trademarks of Amphenol Corporation

This document was generated on 01/03/2013

**PLEASE CHECK [WWW.MOLEX.COM](http://WWW.MOLEX.COM) FOR LATEST PART INFORMATION**