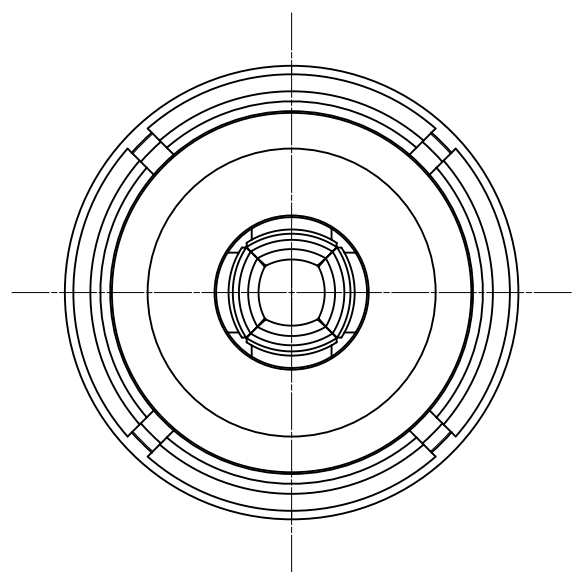
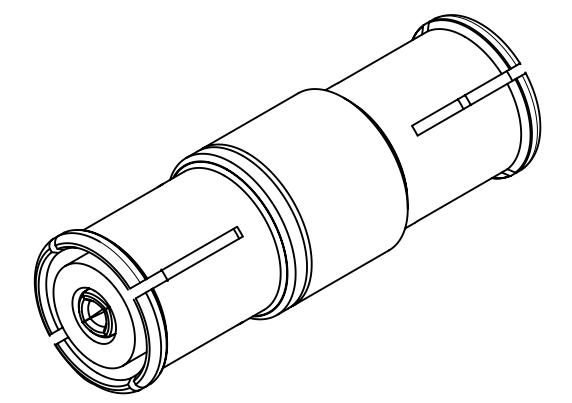


MATERIALS AND FINISHES

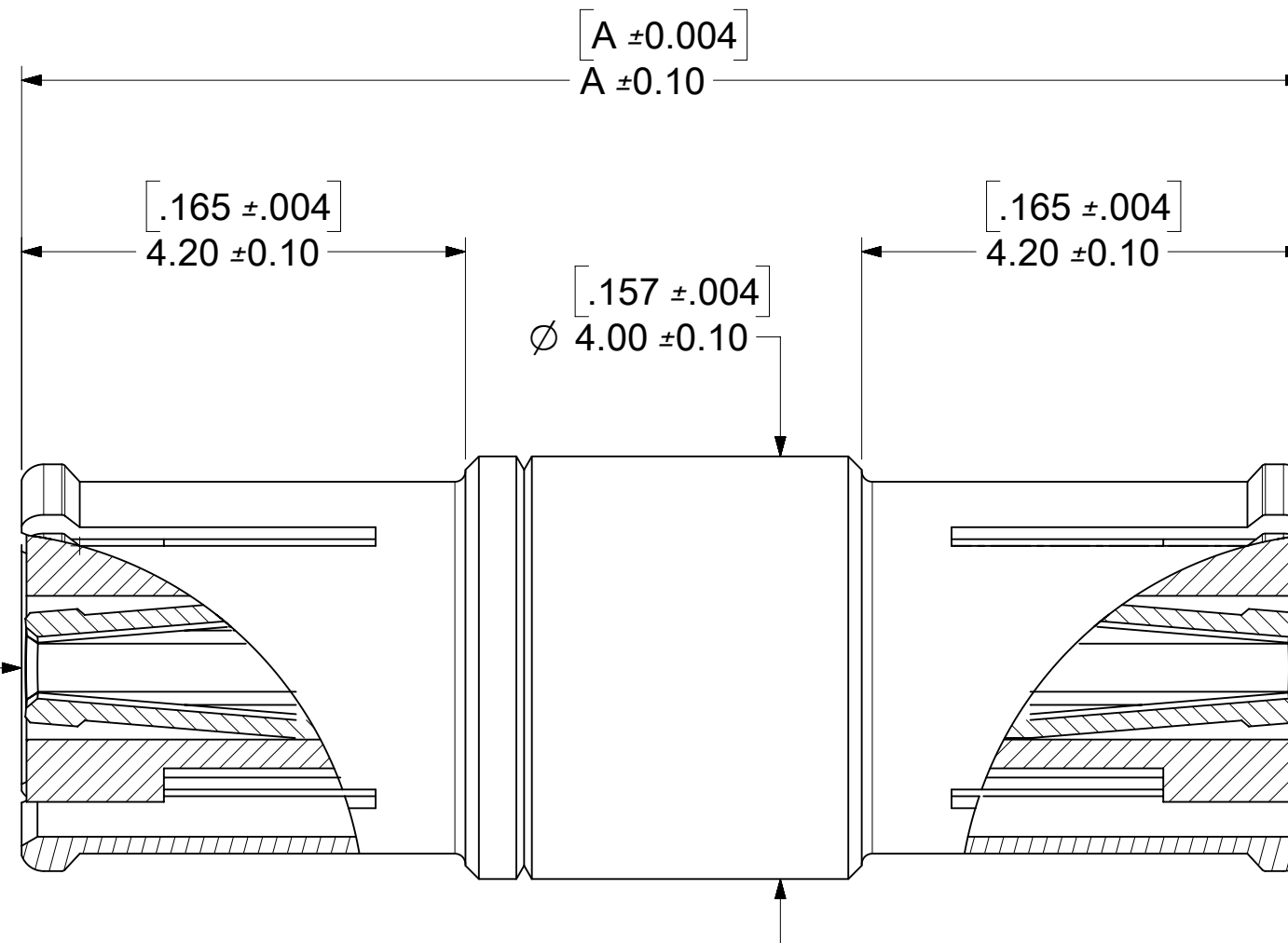
BODY: BERYLLIUM COPPER
 OPTION 1
 PLATED GOLD OVER
 HIGH PHOS NICKEL OVER
 COPPER
 OPTION 2
 PLATED TRI-M

CONTACT: BERYLLIUM COPPER
 PLATED GOLD OVER
 HIGH PHOS NICKEL OVER
 COPPER

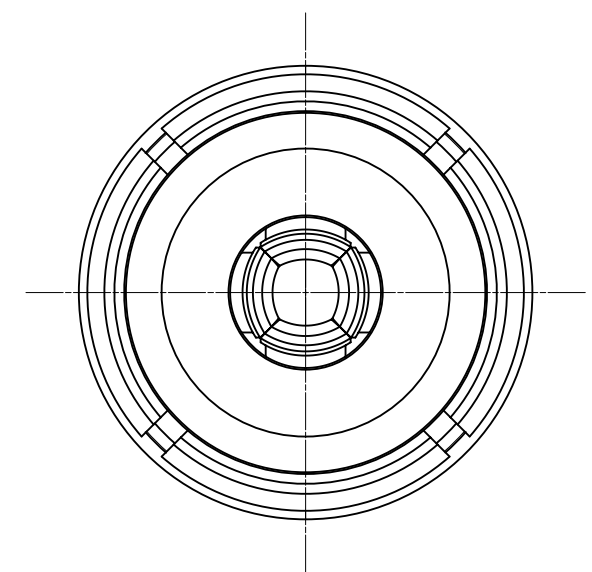
INSULATOR: TEFLON



SMP-MAX JACK
 FEMALE CONTACT



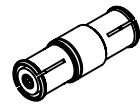
SMP-MAX JACK
 FEMALE CONTACT



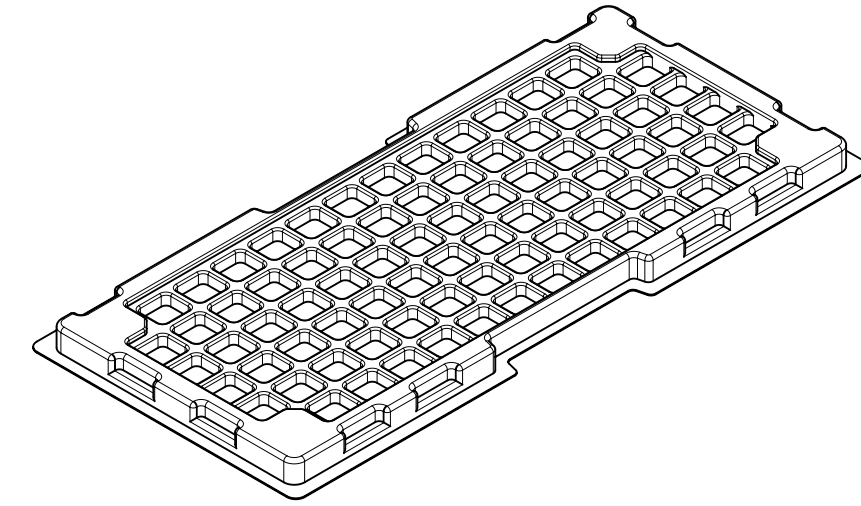
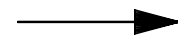
73420-5579	.586/14.88	OPTION 1	TRAY
73420-5578	1.201/30.51	OPTION 2	
73420-5577	1.004/25.51	OPTION 2	
73420-5576	1.019/25.87	OPTION 2	
73420-5575	.822/20.87	OPTION 2	
73420-5574	.705/17.90	OPTION 1	
73420-5573	.966/24.54	OPTION 1	
73420-5572	.555/14.09	OPTION 1	
73420-5571	.587/14.90	OPTION 1	
73420-5570	.478/12.15	OPTION 1	
PART NO.	DIM A (IN/MM)	BODY	PACKAGING
PS-89675-3760	ELEC/MECH PERFORMANCE		
SPECIFICATION	DESCRIPTION		

A5	2017/6/8	ADD -5579 PER PDR17062433
A4	2016/8/22	ADD -5575 THRU -5578 PER PDR16082299
A3	2016/1/21	ADD -5574 PER PDR16012174
A2	2015/6/23	ADD -5573 PER PDR15061989
A1	2015/5/27	ADD -5572 PER PDR15051944
A	2015/3/27	NEW RELEASE PER PDR15051929
REV	DATE	DESCRIPTION

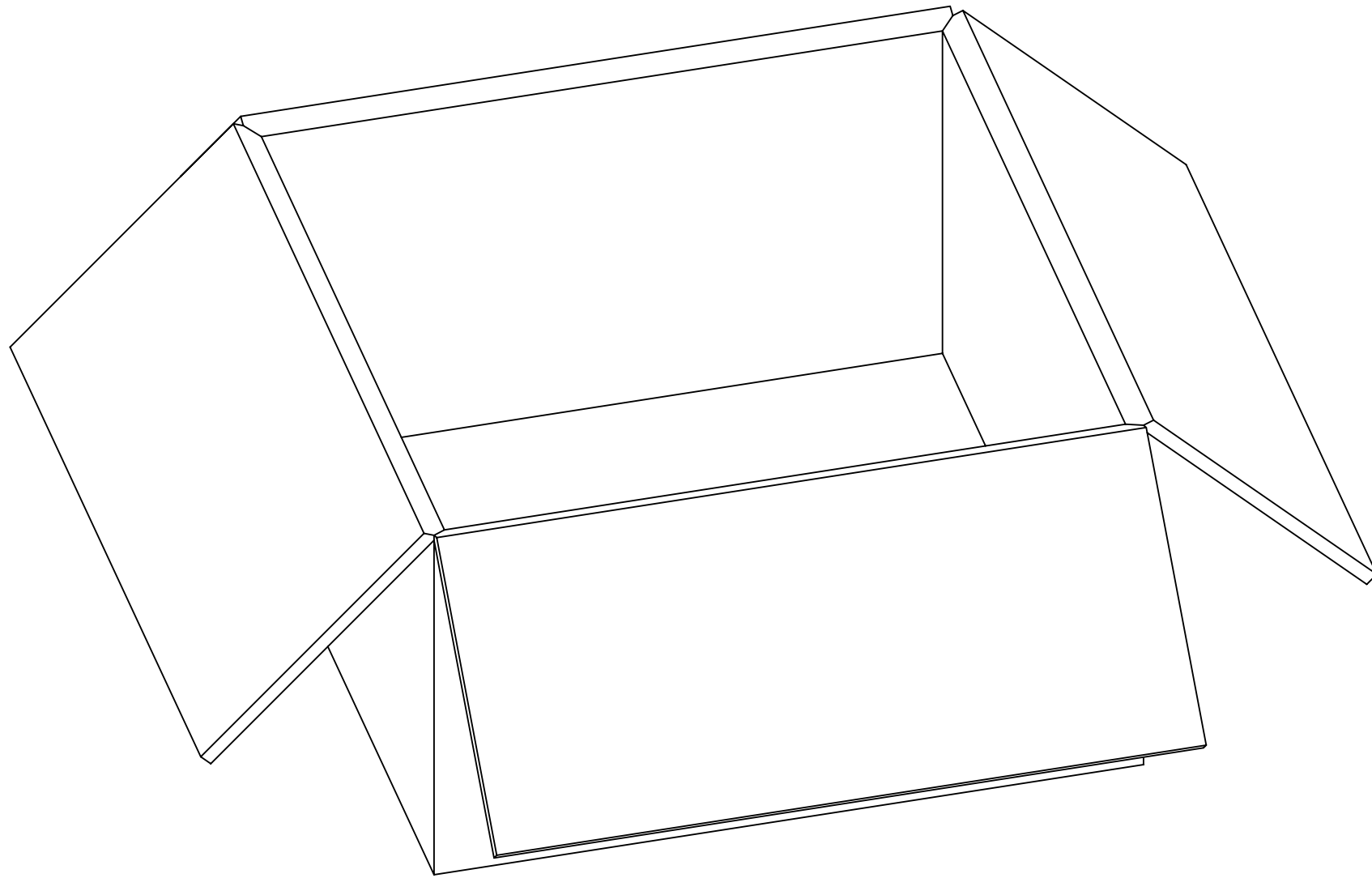
QUALITY SYMBOLS	THIS DRAWING CONTAINS INFORMATION THAT IS PROPRIETARY TO MOLEX ELECTRONIC TECHNOLOGIES, LLC AND SHOULD NOT BE USED WITHOUT WRITTEN PERMISSION												
▽ = 0	EC NO: 117980 DRWN: RYEH CHKD: YCHENG REV: APPR: YCHENG	2017/06/08	2017/06/16	GENERAL TOLERANCES (UNLESS SPECIFIED)		DIMENSION UNITS	SCALE	molex			SMP-MAX J/J BULLET F TO F SYM 4 SLOTS SMPMAX-BULLET		
▽ = 0				ANGULAR TOL ± 2.0 °		HYBRID	NTS						
▽ = 0				4 PLACES ±	DRWN BY	DATE	RYEH	2015/03/27	PRODUCT CUSTOMER DRAWING				
▼ = 0				3 PLACES ±	CHKD BY	DATE	CHKD BY		SERIES MATERIAL NUMBER CUSTOMER				
▽ = 0				2 PLACES ±	APPR BY	DATE	YCHENG	2015/05/06	73420	SEE TABLE	GENERAL MARKET		
▽ = 0				1 PLACE ±	DRAFT WHERE APPLICABLE MUST REMAIN WITHIN DIMENSIONS		DRAWING SIZE	THIRD ANGLE PROJECTION	DOCUMENT NUMBER DOC TYPE DOC PART SHEET NUMBER				
⊠ = 0				0 PLACES ±			C		SD-73420-557 PSD 001 1 OF 4				
■ = 0													
▽ = 0													



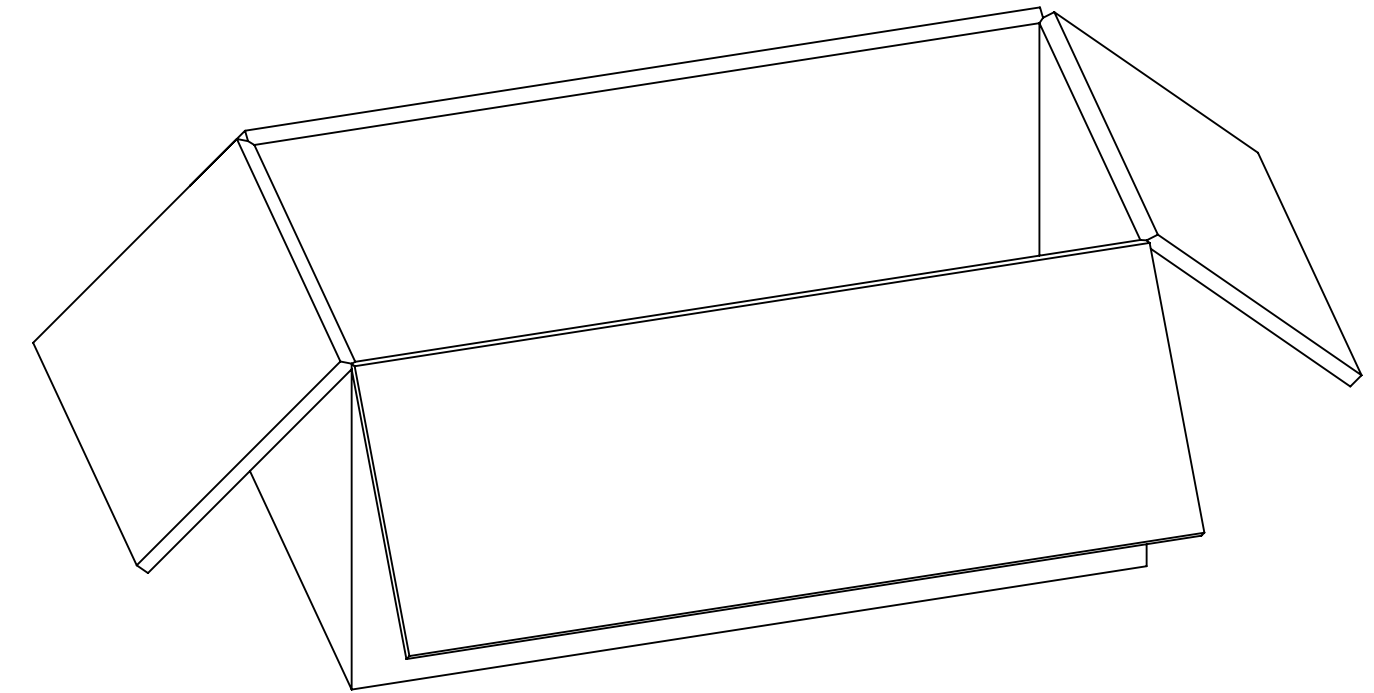
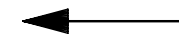
P/N: 73420-5570 OR
 P/N: 73420-5571 OR
 P/N: 73420-5572 OR
 P/N: 73420-5574 OR
 P/N: 73420-5579



80 SETS PER TRAY
 P/N: 89707-0190

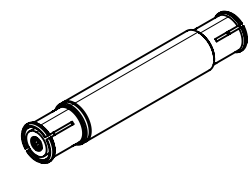


3200 SETS PER OUTER
 CARTON BOX
 P/N: 96708-0005

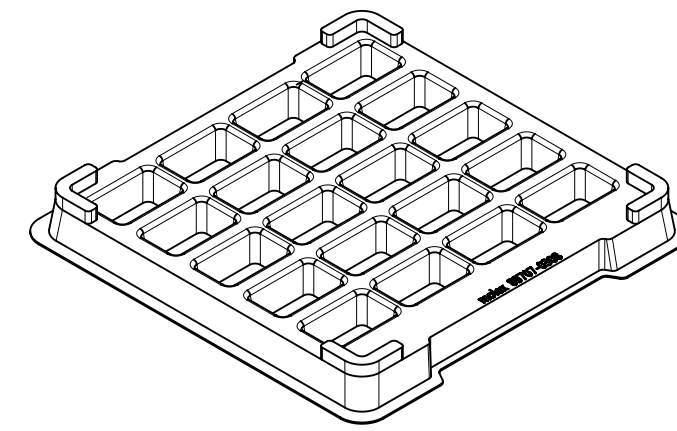
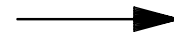


1600 SETS PER INNER
 CARTON BOX
 P/N: 96707-0001

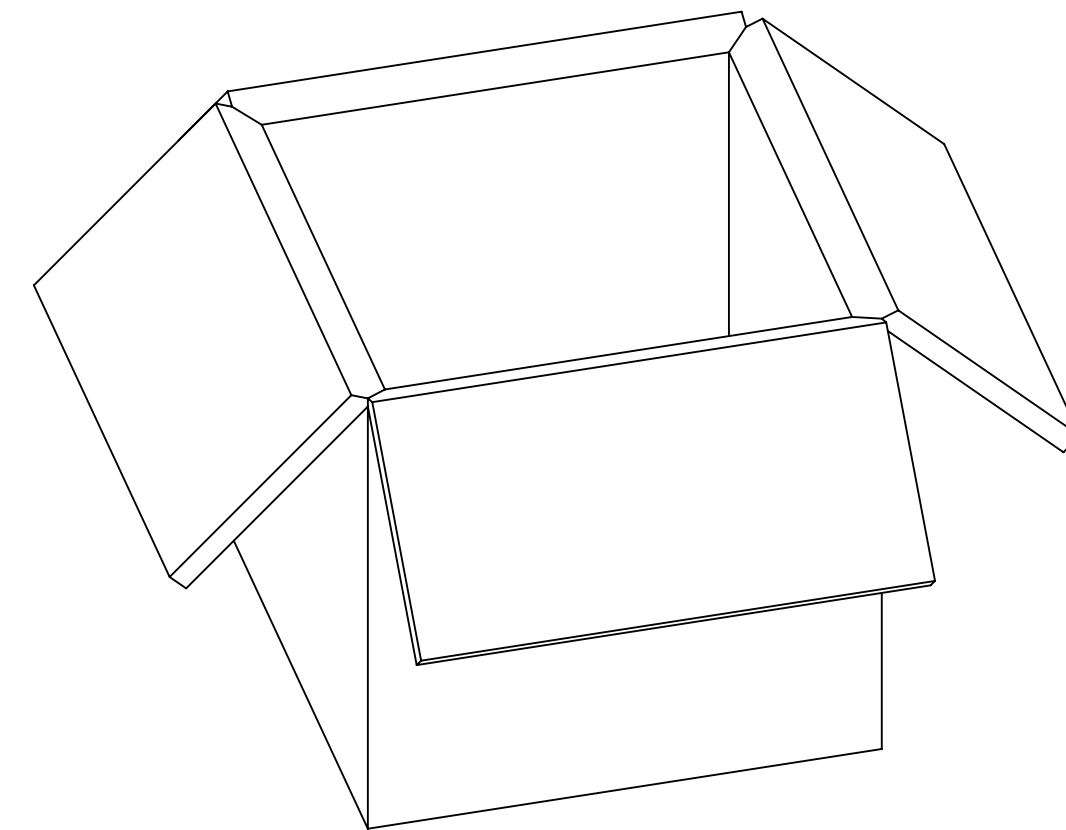
QUALITY SYMBOLS	THIS DRAWING CONTAINS INFORMATION THAT IS PROPRIETARY TO MOLEX ELECTRONIC TECHNOLOGIES, LLC AND SHOULD NOT BE USED WITHOUT WRITTEN PERMISSION												
▽ = 0	EC NO: 117980 DRWN: RYEH CHKD: APPR: YCHENG 2017/06/08 2017/06/16	GENERAL TOLERANCES (UNLESS SPECIFIED)				DIMENSION UNITS		SCALE					
▽ = 0		ANGULAR TOL ± 2.0 °				HYBRID		NTS					
▽ = 0		4 PLACES ±		3 PLACES ±		DRWN BY		DATE					
▼ = 0		3 PLACES ±		2 PLACES ±		RYEH		2015/03/27		SMP-MAX J/J BULLET F TO F SYM 4 SLOTS SMPMAX-BULLET			
▽ = 0		2 PLACES ±		1 PLACE ±		CHKD BY		DATE					
⊠ = 0		0 PLACES ±		DRAFT WHERE APPLICABLE MUST REMAIN WITHIN DIMENSIONS		YCHENG		2015/05/06					
■ = 0		DRAFT WHERE APPLICABLE MUST REMAIN WITHIN DIMENSIONS		DRAFTER		DRAWING SIZE		THIRD ANGLE PROJECTION					
▽ = 0		A5	C		C		C		C		PRODUCT CUSTOMER DRAWING SERIES: 73420 MATERIAL NUMBER: SEE TABLE CUSTOMER: GENERAL MARKET		
RELEASE STATUS		P1	RELEASE DATE		16.06.2017	03:43:57		DOCUMENT NUMBER		SD-73420-557	DOC TYPE PSD DOC PART 001 SHEET NUMBER 2 OF 4		



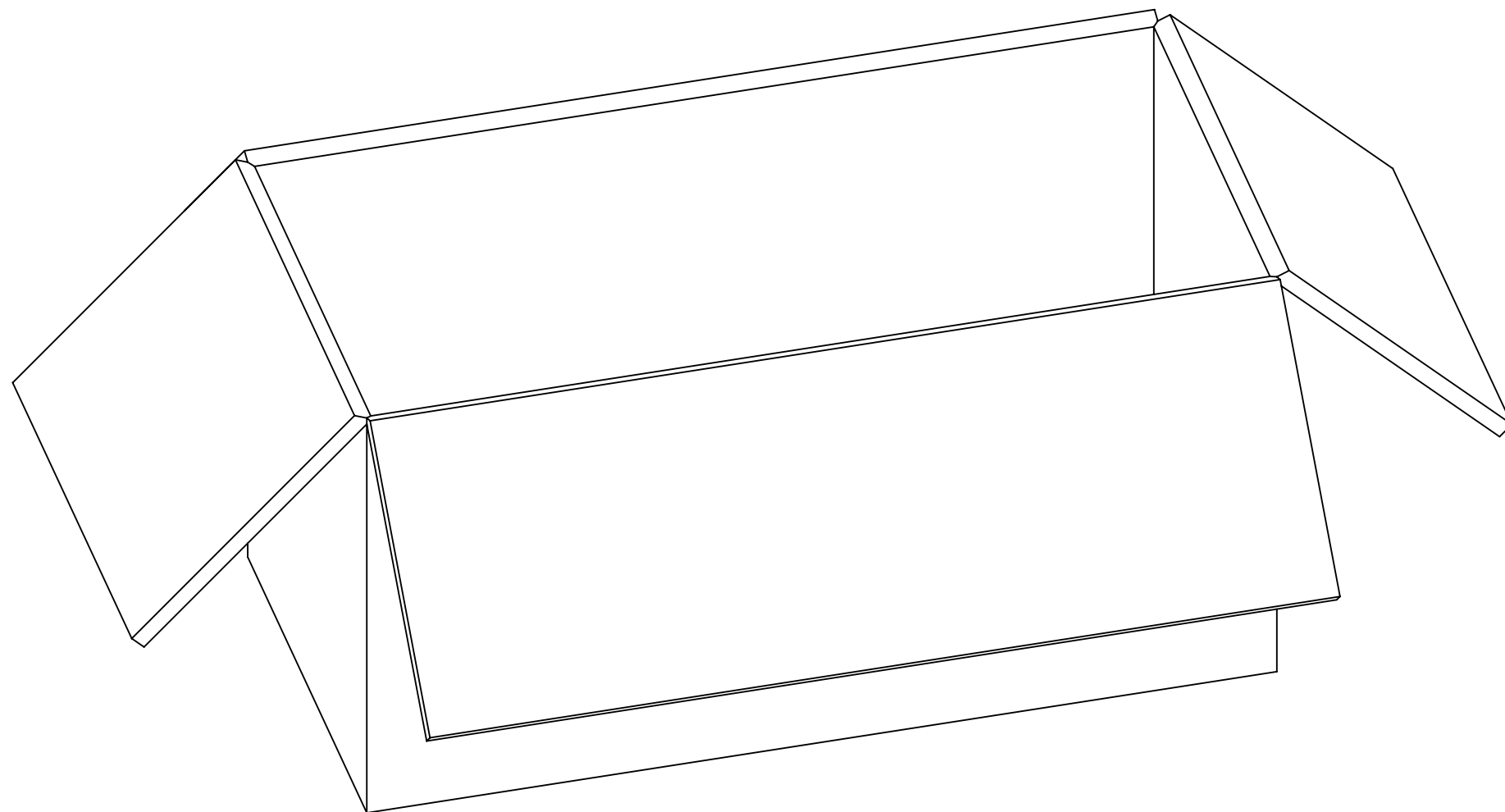
P/N: 73420-5573



20 SETS PER TRAY
P/N: 89707-0308

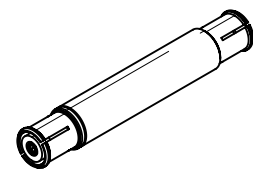


200 SETS PER INNER
CARTON BOX
P/N: 96707-0005

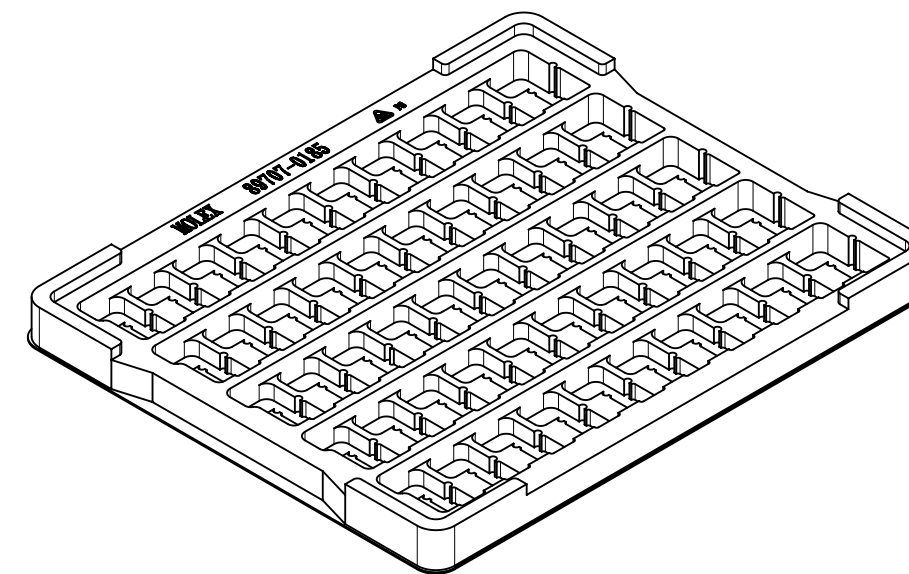
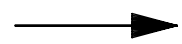


400 SETS PER OUTER
CARTON BOX
P/N: 96707-0002

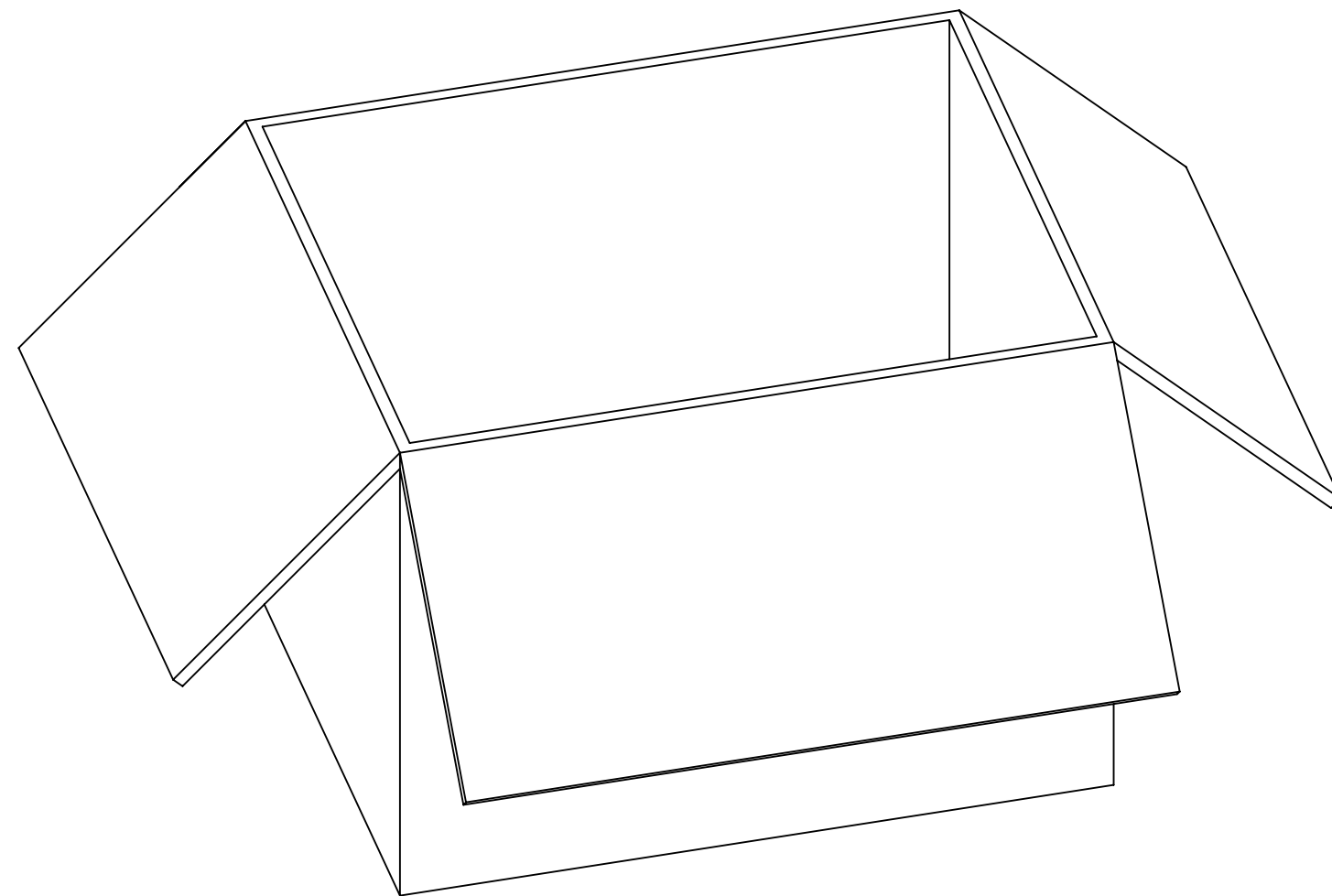
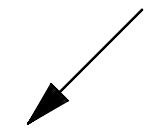
QUALITY SYMBOLS	THIS DRAWING CONTAINS INFORMATION THAT IS PROPRIETARY TO MOLEX ELECTRONIC TECHNOLOGIES, LLC AND SHOULD NOT BE USED WITHOUT WRITTEN PERMISSION										
▽ = 0	EC NO: 117980 DRWN: RYEH CHKD: YCHENG REV / APPR: YCHENG	2017/06/08	2017/06/16	GENERAL TOLERANCES (UNLESS SPECIFIED)		DIMENSION UNITS	SCALE				
▽ = 0				ANGULAR TOL ± 2.0 °		HYBRID	NTS				
▽ = 0				4 PLACES ±	DRWN BY	DATE	SMP-MAX J/J BULLET F TO F SYM 4 SLOTS SMPMAX-BULLET				
▽ = 0				3 PLACES ±	RYEH	2015/03/27					
▽ = 0				2 PLACES ±	CHKD BY	DATE	PRODUCT CUSTOMER DRAWING				
▽ = 0				1 PLACE ±	CHKD BY	DATE					
▽ = 0	0 PLACES ±	APPR BY	DATE	SERIES		MATERIAL NUMBER		CUSTOMER			
☒ = 0	DRAFT WHERE APPLICABLE MUST REMAIN WITHIN DIMENSIONS		DRAWING SIZE	THIRD ANGLE PROJECTION	73420		SEE TABLE		GENERAL MARKET		
■ = 0	A5	C		DOCUMENT NUMBER		PSD		DOC PART	SHEET NUMBER		
▽ = 0				SD-73420-557		001		3 OF 4			



P/N: 73420-5575 OR
 P/N: 73420-5576 OR
 P/N: 73420-5577 OR
 P/N: 73420-5578



50 SETS PER TRAY
 P/N: 89707-0185



1000 SETS PER OUTER
 CARTON BOX
 P/N: 89499-9027

THIS DRAWING CONTAINS INFORMATION THAT IS PROPRIETARY TO MOLEX ELECTRONIC TECHNOLOGIES, LLC AND SHOULD NOT BE USED WITHOUT WRITTEN PERMISSION												
QUALITY SYMBOLS ▽ = 0 ▽ = 0 ▽ = 0 ▼ = 0 ▽ = 0 ⊠ = 0 ■ = 0 ▽ = 0	EC NO: 117980 DRWN: RYEH CHKD: APPR: YCHENG	2017/06/08 2017/06/16	GENERAL TOLERANCES (UNLESS SPECIFIED)		DIMENSION UNITS	SCALE						
			ANGULAR TOL ± 2.0 °		HYBRID	NTS						
			4 PLACES ±	DRWN BY		DATE		SMP-MAX J/J BULLET F TO F SYM 4 SLOTS SMPMAX-BULLET				
			3 PLACES ±	RYEH		2015/03/27						
			2 PLACES ±	CHKD BY		DATE		PRODUCT CUSTOMER DRAWING				
			1 PLACE ±	CHKD BY		DATE						
			0 PLACES ±	APPR BY		DATE		SERIES MATERIAL NUMBER CUSTOMER 73420 SEE TABLE GENERAL MARKET				
			DRAFT WHERE APPLICABLE MUST REMAIN WITHIN DIMENSIONS		DRAWING SIZE	THIRD ANGLE PROJECTION						
					C							