

PLEASE CHECK WWW.MOLEX.COM FOR LATEST PART INFORMATION

Part Number: [73415-5032](#)
Status: **Active**
Overview: SMP Subminiature RF Connectors
Description: 50 Ohms, SMP Jack Right-Angle for RG-174, RG-188 and RG-316 Cable, Small Tray

Documents:

[Drawing \(PDF\)](#) [RoHS Certificate of Compliance \(PDF\)](#)

General

Product Family	RF/Coax Connectors
Series	73415
Overview	SMP Subminiature RF Connectors
Product Name	SMP
Style	Cable
UPC	822350970129
Wire/Cable Type	RG-174, RG-188, RG-316

Physical

Gender	Jack
Keying to Mating Part	None
Net Weight	1.226/g
Orientation	Right Angle
PCB Mounting	N/A
Packaging Type	Tray
Panel Mount	No
Panel Mount Method	N/A
Reverse Polar	No
Shield Type	Single Shield

Electrical

Impedance	50#
-----------	-----

Material Info

Reference - Drawing Numbers

Sales Drawing	SD-73415-503
---------------	--------------

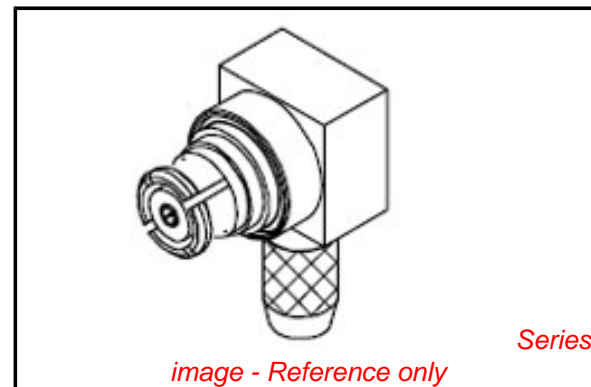


image - Reference only

EU RoHS

RoHS Compliant RF Product

REACH SVHC

Contains SVHC: No

Low-Halogen Status

Low-Halogen

China RoHS



Need more information on product environmental compliance?

Email productcompliance@molex.com
 For a multiple part number RoHS Certificate of Compliance, [click here](#)

Please visit the [Contact Us](#) section for any non-product compliance questions.

Search Parts in this Series

[73415Series](#)