

**PLEASE CHECK WWW.MOLEX.COM FOR LATEST PART INFORMATION**

**Part Number:** [73415-3596](#)  
**Status:** **Active**  
**Overview:** SMP Subminiature RF Connectors  
**Description:** 50 Ohms, SMP Edge Mount PCB Plug, Leg Length 1.27mm, 1000 Pieces Tape and Reel

**Documents:**

[Drawing \(PDF\)](#) [RoHS Certificate of Compliance \(PDF\)](#)

**General**

Product Family	RF/Coax Connectors
Series	<a href="#">73415</a>
Comments	Edge Mount, Leg Length 1.27mm
Overview	<a href="#">SMP Subminiature RF Connectors</a>
Product Name	SMP
Style	PCB
UPC	887191226965
Wire/Cable Type	N/A

**Physical**

Gender	Plug
Keying to Mating Part	None
Orientation	Straight
PCB Mounting	Edge Mount
Packaging Type	Embossed Tape on Reel
Panel Mount	No
Panel Mount Method	N/A
Reverse Polar	No

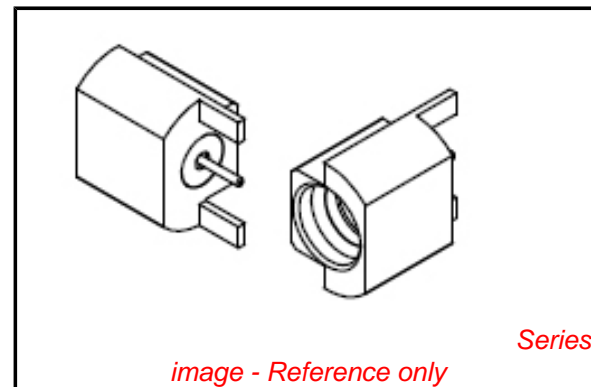
**Electrical**

Impedance	50#
-----------	-----

**Material Info**

**Reference - Drawing Numbers**

Sales Drawing	SD-73415-359
---------------	--------------



**EU RoHS**

**RoHS Compliant RF Product**  
**REACH SVHC Not Reviewed**  
**Low-Halogen Status Not Reviewed**

**China RoHS**



**Need more information on product environmental compliance?**

Email [productcompliance@molex.com](mailto:productcompliance@molex.com)  
 For a multiple part number RoHS Certificate of Compliance, [click here](#)

Please visit the [Contact Us](#) section for any non-product compliance questions.

**Search Parts in this Series**  
[73415Series](#)